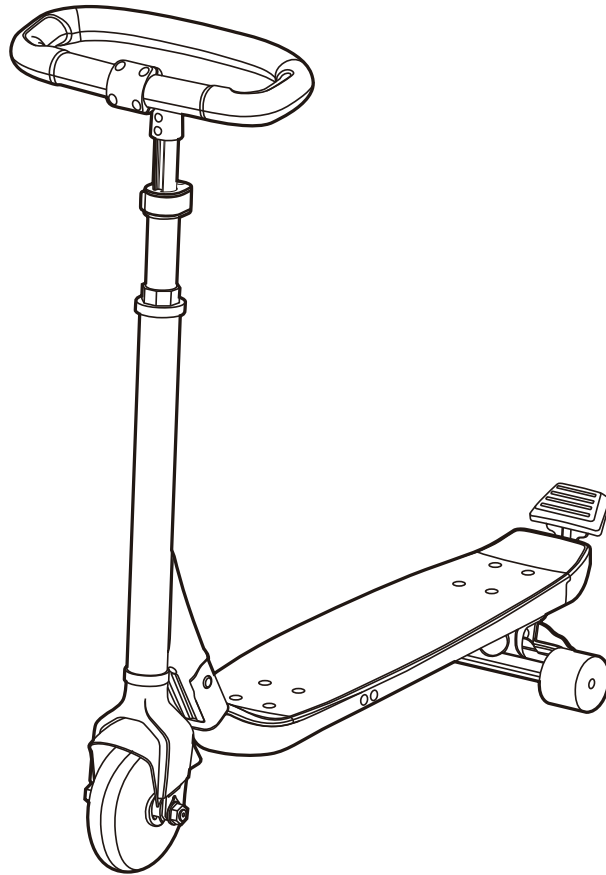




24V Wave Catcher



! NOTE: The unit must be traveling at least 3 mph (5 km/h) before motor will engage. Kick to start until you reach at least 3 mph (5 km/h) then press a push button throttle on the handlebar to engage the motor.

Owner's Manual and Assembly Instructions

Model #: W301

Read and understand the entire manual before assembly and operation. The scooter must be assembled by an adult who has read and understands the instructions.

Made in China.

Styles and colors may vary. Do not return to store. Visit us online at www.rollplay.com for assistance and replacement parts.

IMPORTANT:

Save this manual with your sales receipt.

Introduction

Thank you for purchasing this Rollplay scooter! We hope the rider enjoys it for miles to come. Please read this instruction guide carefully before assembling and operating the scooter.

Please contact Rollplay Customer Service with any questions.

Keep your sales receipt and register your product at www.rollplay.com. Have your model number and serial number ready before calling. Please have proof of purchase.

Hours: 9 AM - 5 PM (CST), Monday - Friday

Email: customerservice@rollplay.com

Phone: 1-888-982-9309

Web: www.rollplay.com

For French inquiries, please email only at customerservice@rollplay.com.

Specifications:

BATTERY:	24V 2900 mAH
MOTOR:	22V 150W
AGE:	8 Years+
MAX WEIGHT:	143 lbs (65 kg)
PRODUCT SIZE:	33.5 x 13.6 x 34.6 in (85.0 x 34.5 x 88.0 cm)
LOW SPEED:	Up to 5 mph (8 km/h)
HIGH SPEED:	Up to 10 mph (16 km/h)
RECHARGE TIME:	6 Hours
MAX RUN TIME:	1 Hour
CHARGER OUTPUT:	DC 25.2 V

IMPORTANT!

YOU MUST CHARGE THE BATTERY FOR 12 HOURS BEFORE FIRST USE!

Charge the battery after each use. Charge for 6 hours for every recharge after the initial charge.

Charge the battery at least once a month, even if the scooter is not in use.

Failure to recharge the battery periodically may result in a battery that will not accept a charge.

BEFORE RETURNING YOUR PRODUCT TO THE STORE, CONTACT ROLLPLAY WITH QUESTIONS.

E-mail Customer Service if you need assistance or replacement parts. Please have your model number and serial number ready before calling. Keep your sales receipt and register your product at www.rollplay.com as we will require proof of purchase.
customerservice@rollplay.com

Read this entire manual to ensure proper assembly and safe operation of the scooter.

4 Table of Contents

Safety	5
Parts	7
Charging Instructions	8
Unfolding Instructions	9
Assemble the Handlebar	10
Assemble the Brake	11
Adjust the Handlebar	12
Folding Instructions	13
Operating Instructions.....	14
Rear Wheel Bracket Adjustment.....	15
Pre-ride Checklist	16
Maintenance.....	17
General Care	18
Troubleshooting Guide	19
Repair and Maintenance.....	20
FCC Information	21
Service and Repairs.....	22
Warranty.....	23
Product Registration.....	24



WARNING: SAFETY RIDING RULES

- The user must follow all safety rules and guidelines, or serious injury or death may occur to the user.
- Always use common sense and safe practices when using the scooter. The user must be at least 8 years old and weigh no more than 65kg (143 lbs).
- Do not overload the scooter. Do not remove the weight restriction decals.
- Do not operate near loose dirt, mud, sand or fine gravel.
- Do not operate near flammable vapors (gasoline, paint thinner, acetone, etc.).
- Always use the scooter in a safe, secure environment with adult supervision.
- Always wear protective equipment such as a helmet, knee pads, and elbow pads. Always wear a helmet when riding your scooter and keep the chinstrap securely buckled. The protective equipment should comply with local regulations such as U.S. Consumer Product Safety Commission (CPSC) Standard 16 CFR 1203. Always wear shoes and keep shoelaces tied and out of the way of the wheels and motor. Closed toe, athletic shoes are strongly recommended.
- Do not ride at night or in low visibility conditions.
- Prevent injury and death. Never leave child unattended. Direct adult supervision is required. Never use in roadways, near motor vehicles, in traffic, on or near steep inclines or steps, swimming pools or other bodies of water.
- Only 1 rider at a time.
- Risk of fire, do not bypass.
- This product contains small parts that are for adult assembly only. Keep children away when assembling. Remove and dispose of all protective material and plastic bags after assembly.
- Unit shall not be modified from the manufacturer's original design and configuration.
- Unit shall not be operated to perform racing, stunts, or other maneuvers, which may lead to loss of control, or may cause uncontrolled rider actions or reactions.
- Persons shall be advised not to allow hands, feet, hair, body parts, clothing or similar articles to come in contact with moving parts, wheels, or drivetrain, while the engine is running. Keep away from moving parts.
- Before each use, please check the following:
 - 1) All guards and pads originally supplied by the manufacturer are in the proper place and in good condition.
 - 2) The area that the unit is to be operated is safe and suitable for safe operation.
 - 3) The braking system is functioning properly.
 - 4) All safety labels are in place and understood by the rider.
 - 5) All axle guards, chain guards, or other covers or guards supplied by the manufacture are in place and in good condition.
- The owner shall allow the use and operation of the unit only after a demonstration that such operators can understand and operate all components of the unit before use.
- Operators shall adhere to all of the manufacturer's recommendations and instructions, as well as comply with all local laws and ordinances. Always check and obey local laws or regulations which may affect the locations where the Wave Catcher may be used.
- Persons with the following conditions shall be cautioned not to operate:
 - 1) Those with heart conditions
 - 2) Pregnant women
 - 3) Persons with head, back, or neck ailments, or prior surgeries to those areas of the body
 - 4) Persons with any mental or physical conditions that may make them susceptible to injury or impair their physical dexterity or mental capabilities to recognize, understand, and perform all of the safety instructions and to be able to assume the hazards inherent in use of the scooter.
- Components shall be maintained and repaired in accordance with the manufacturer's specifications and using only the manufacturer's authorized replacement parts with installation performed by skilled persons.
- Avoid sharp bumps, drainage grates, and sudden surface changes. Scooter may suddenly stop.
- Avoid streets and surfaces with water, sand, gravel, dirt, leaves, and other debris. Wet weather impairs traction, braking and visibility. Ride on a smooth, paved surface away from motor vehicles. Scooter should be used on a flat surface. Never use near bodies of water or swimming pools. Do not ride your product in wet or icy weather conditions and never immerse the product in water. Never ride indoors, as this may damage flooring.
- Brake will get hot from continuous use. Do not touch after braking.
- Avoid excessive speed associated with downhill rides.
- Adult must assist children in the adjustment procedures to unfold scooter, adjust handlebar, and to fold scooter.
- Be careful to avoid pedestrians, skaters, skateboards, scooters, bikes, children or animals who may enter your path, and respect the rights and property of others. Watch out for potential obstacles that could catch your wheel or force you to swerve suddenly or lose control.
- Check and secure all fasteners before every ride.
- Replace worn or broken parts immediately.
- Risk of fire---no user serviceable parts, they are not intended for use at elevations greater than 2000m above sea level.
- Prolonged exposure to UV rays, rain and the

6 Safety (Continued)

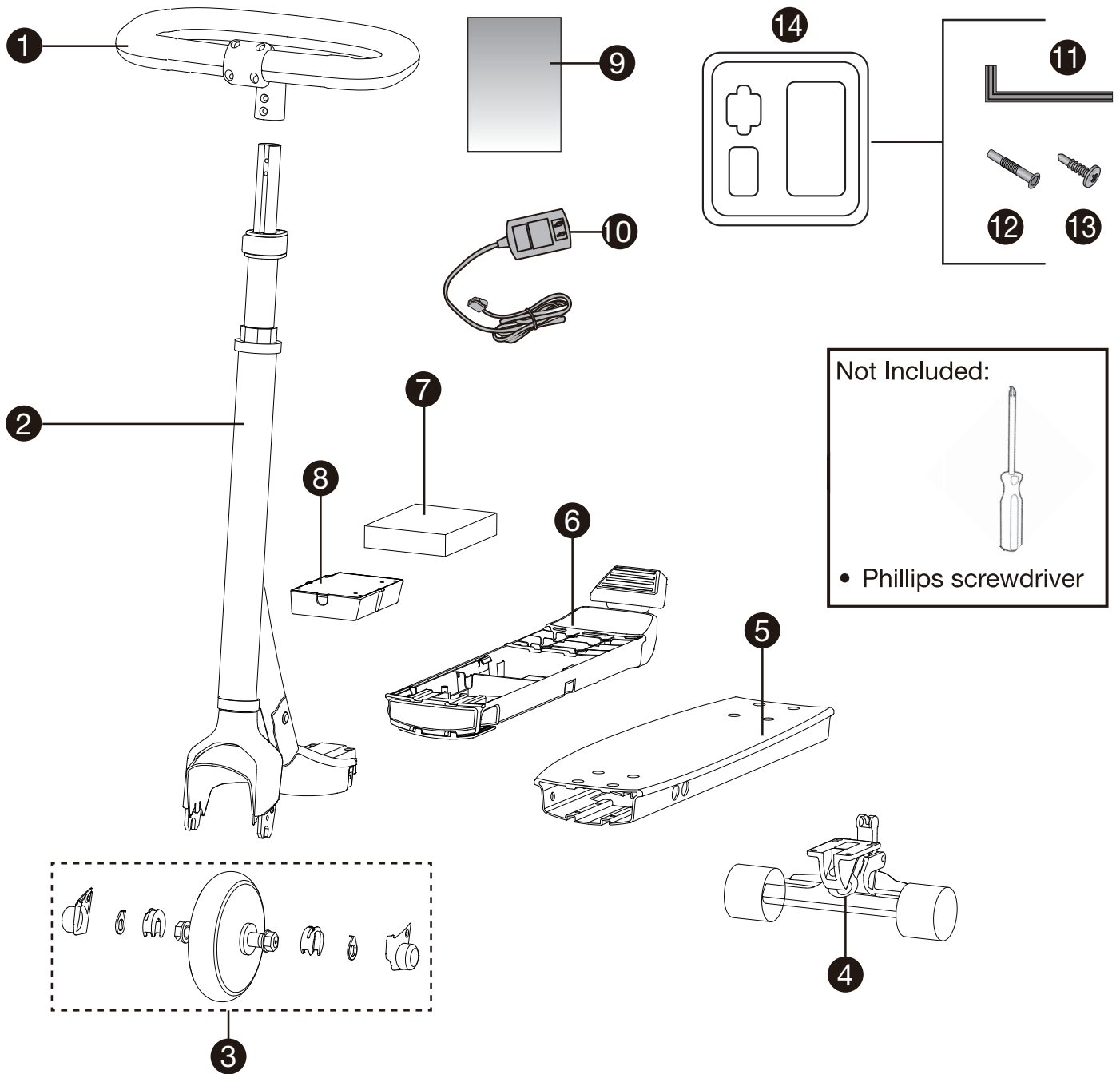
elements may damage the enclosed materials.

- Store indoors when not in use. Store in a dry environment.
- The scooter must only be used with the recommended charger which conforms to UL1310 standard.
- Do not charge at or below 32°F (0°C). Do not store in freezing or below freezing temperatures. Should be stored in temperatures below 86°F (30° C).
- The included lithium-ion battery must be recycled or disposed of in an environmentally safe manner. Do not dispose of a battery pack in a fire; the battery pack may explode. Do not dispose of the battery pack in your household trash. The incineration, land filling or mixing of batteries with household trash is prohibited by law in most areas. Return exhausted batteries to a federal or state approved lithium-ion battery recycler.
- Do not exceed weight limit of 143 lb (65 kg). Exceeding the weight limit could injure the rider or damage the unit.
- Never use headphones or a cell phone to talk or text when riding.
- This product is not suitable for children under 8 years old. Parents are strongly advised not to disregard this recommendation and allow younger children to ride the Wave Catcher. The age recommendation is only an estimate and not a guarantee that every child ages 8 and older is the appropriate height, weight or has the appropriate skills and maturity to ride the Wave Catcher. A parent's decision to allow his or her child to ride this product should be based on the child's maturity, skill, and ability to follow rules. There are additional hazards of using the product in areas other than private grounds.
- The product shall be used with caution since skill is required to avoid falls or collisions which may cause injury to the user and third parties. Always be aware of your surroundings. Watch out for potential obstacles that could catch your wheel or force you to swerve suddenly or lose control.
- Tampering with or modifying the electric circuit system may cause shock, fire or explosion, it could permanently damage the system. Keep the battery/charger housing and all electronic components closed to prevent exposed wiring, which may cause electric shock.
- Please wear reflective armbands or a reflective vest for safety.
- Battery, charger, electric wire, plug, enclosure and other parts should be periodically checked for damage, if damage is found discontinue use until repaired.



WARNING: BATTERY SAFETY

- **IMPORTANT:** Before using the scooter for the first time, the battery must be charged for a full 12 hours. **To prevent any battery leakage, heat or fire, please pay attention to the following precautions:**
- Do not immerse the battery in water.
- Do not use the battery next to high temperature sources, such as fire, heater, etc.
- Please use the custom charger for lithium battery charging.
- Do not reverse the battery.
- Do not connect the battery directly to the power outlet.
- Do not throw the battery into a fire or heater.
- Do not directly connect the terminals of the battery with metal.
- Do not transport or store the battery together with metals such as hairpins, necklaces, etc.
- Do not tap, throw or step on the battery.
- Do not directly solder the battery cells, or use sharp tools to pierce the battery pack or battery cells.
- Do not use or leave the battery at high temperatures (in direct sunlight or in a hot car), as this may cause the battery to overheat, cause a fire or malfunction, resulting in a shorter battery life.
- Do not use in places with strong static electricity and strong magnets, otherwise it will easily damage the safety protection device of the battery pack.
- If the battery leaks and the electrolyte enters the eyes, please don't rub it, rinse your eyes with clean water, and go to a hospital for treatment immediately.
- Remove and stop using the battery immediately if it emits a foul odor, overheats, there is discoloration, it becomes deformed or there is any abnormality during charging.
- If the terminals of the battery are dirty, use a dry cloth to clean, to avoid poor connection.
- Discarded batteries should be covered with insulating paper to prevent fire and smoke.
- The battery should be stored in room temperature, with 40%~60% power. It is recommended to charge the battery at least once a month, even when the scooter is not in use. Failure to recharge the battery periodically may result in a battery that will not accept a charge. If the product is stored, without use, for more than a year, it is recommended to fully charge and fully discharge the battery once a year to maintain the performance of the battery.



- | | | |
|----------------|---|------------------------------|
| 1. Handlebar | 7. Battery (located in battery compartment) | 11. Wrench |
| 2. Frame | 8. Control Board (located in deck) | 12. Internal Hex Screws (x2) |
| 3. Front Wheel | 9. Manual | 13. Screws (x2) |
| 4. Rear Wheels | 10. Charger | 14. Blister Pack |

NOTE: Allow 12 hours for initial battery charge. Follow the few short assembly steps on the following pages to get your Wave Catcher ready.

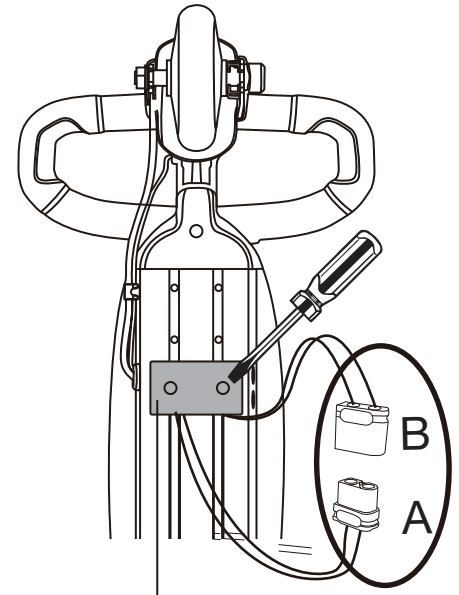
8 Charging Instructions

YOU MUST CHARGE THE BATTERY FOR 12 HOURS BEFORE THE FIRST USE!

ONLY AN ADULT SHOULD HANDLE THE BATTERY AND CHARGER.

To Reconnect the Battery:

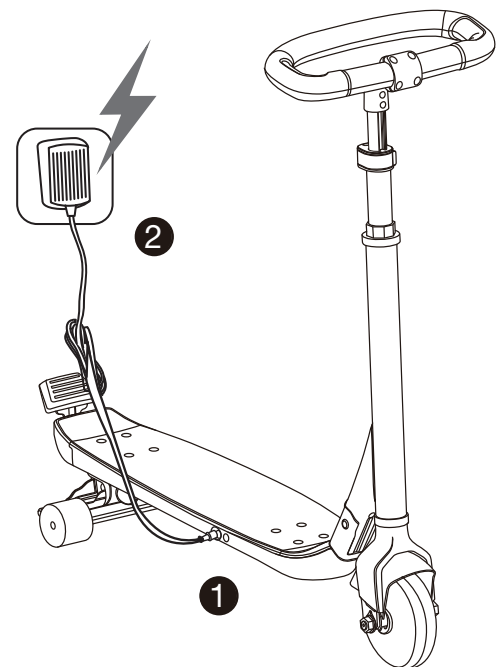
1. Ensure the scooter is stopped and turned off.
2. Unlock and remove the battery compartment cover (located underneath the deck).
3. Locate the yellow battery connector (A) that attaches directly to the battery.
4. Connect the yellow battery connector (A) to the yellow battery charger connector (B).
5. Replace the battery compartment cover.



Battery Compartment Cover

To Charge the Battery:

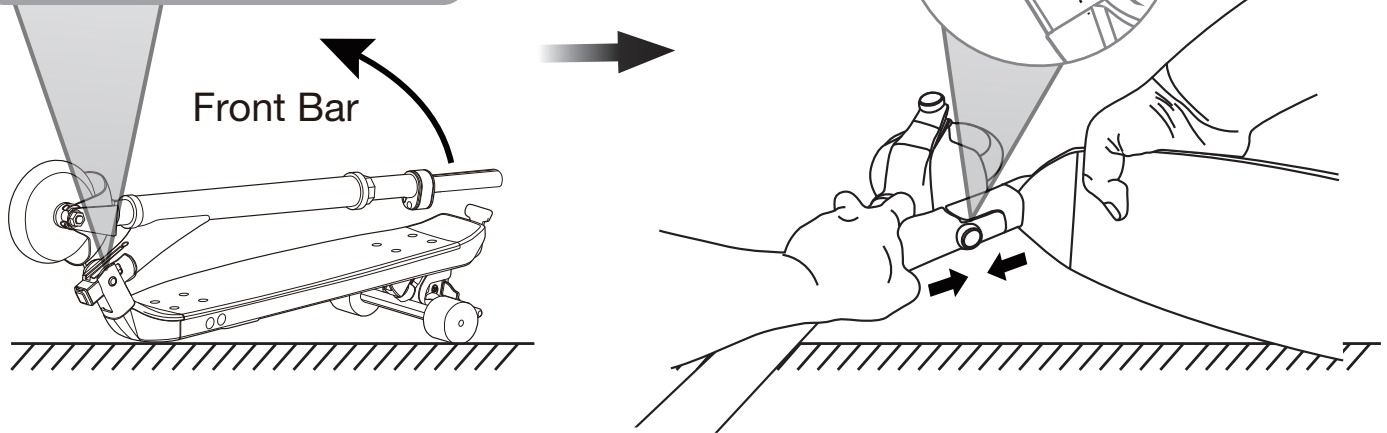
1. The charging port (1) is located underneath of the right side of the deck.
2. Plug the connector on the charger into the charging port (1).
3. Plug the charger into a 120V outlet (2). The charger light will turn red while the battery is charging.
4. Unplug the charger from the outlet when charging is complete and the charger light turns green.
5. Remove the charger connector from the charging port (1).



NOTE: It is recommended to charge the battery at least once a month, even when the scooter is not in use. Failure to recharge the battery periodically may result in a battery that will not accept a charge.

⚠ WARNING:

Keep fingers clear of the pivoting mechanism when folding or unfolding the scooter.



To Unfold:

1. Raise the front bar.
2. On a flat surface, lay the scooter down on its side (refer to the position in the figure above), hold the front bar with one hand and the front end of the deck with the other hand. Make sure the up and down arrows on the side are aligned. Push the deck up toward the front bar to connect the two parts until it clicks into place. The two arrows on the front fork should connect.

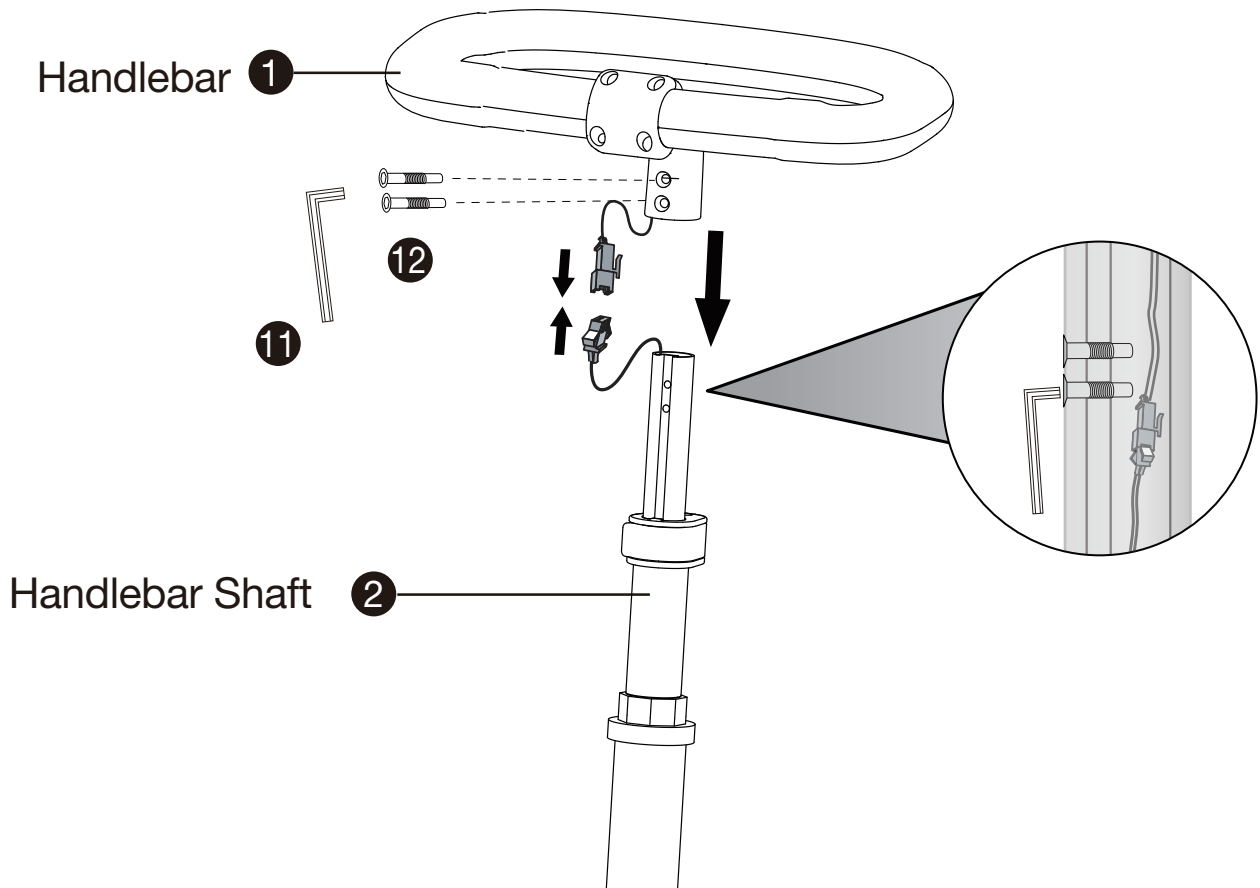
ALWAYS make sure that the handlebar is securely locked in the upright position prior to riding.

⚠ WARNING:

Keep fingers clear of the folding mechanism when folding or unfolding the scooter. Always make sure the handle is fully secure in the upright position prior to riding. The scooter does not lock in the folding position, use caution handling the scooter while it is folded.

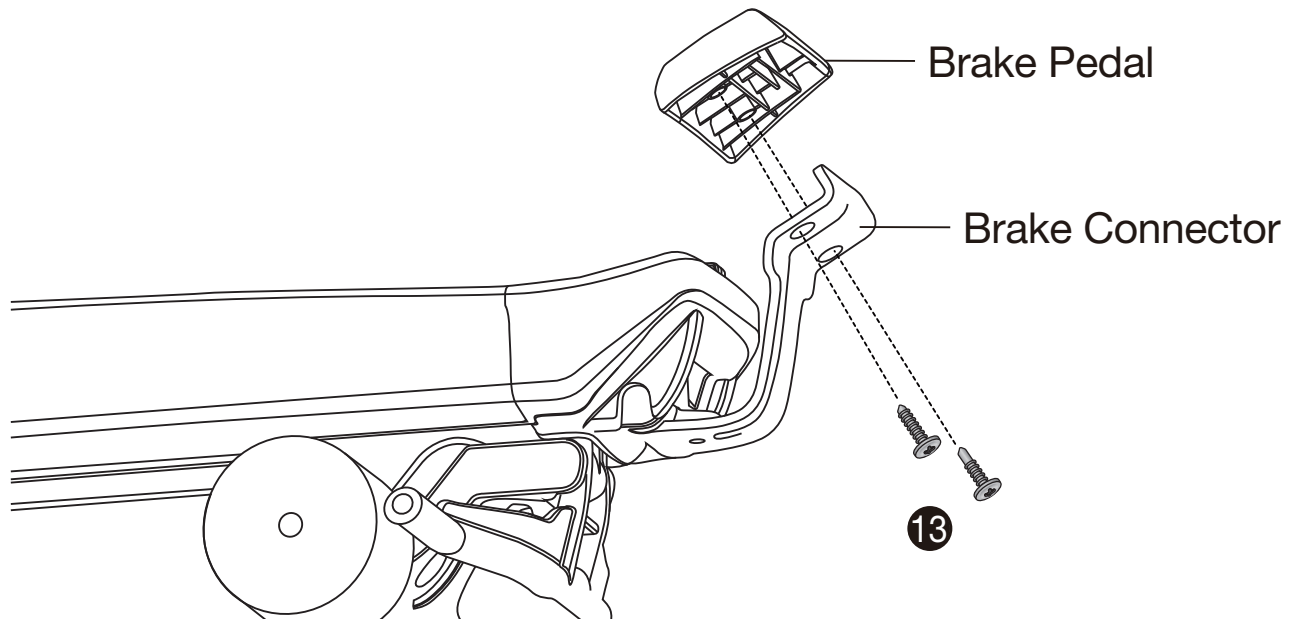
For a video demonstration of the folding mechanism, please visit our website: www.rollplay.com or contact our Customer service team

10 Assemble the Handlebar



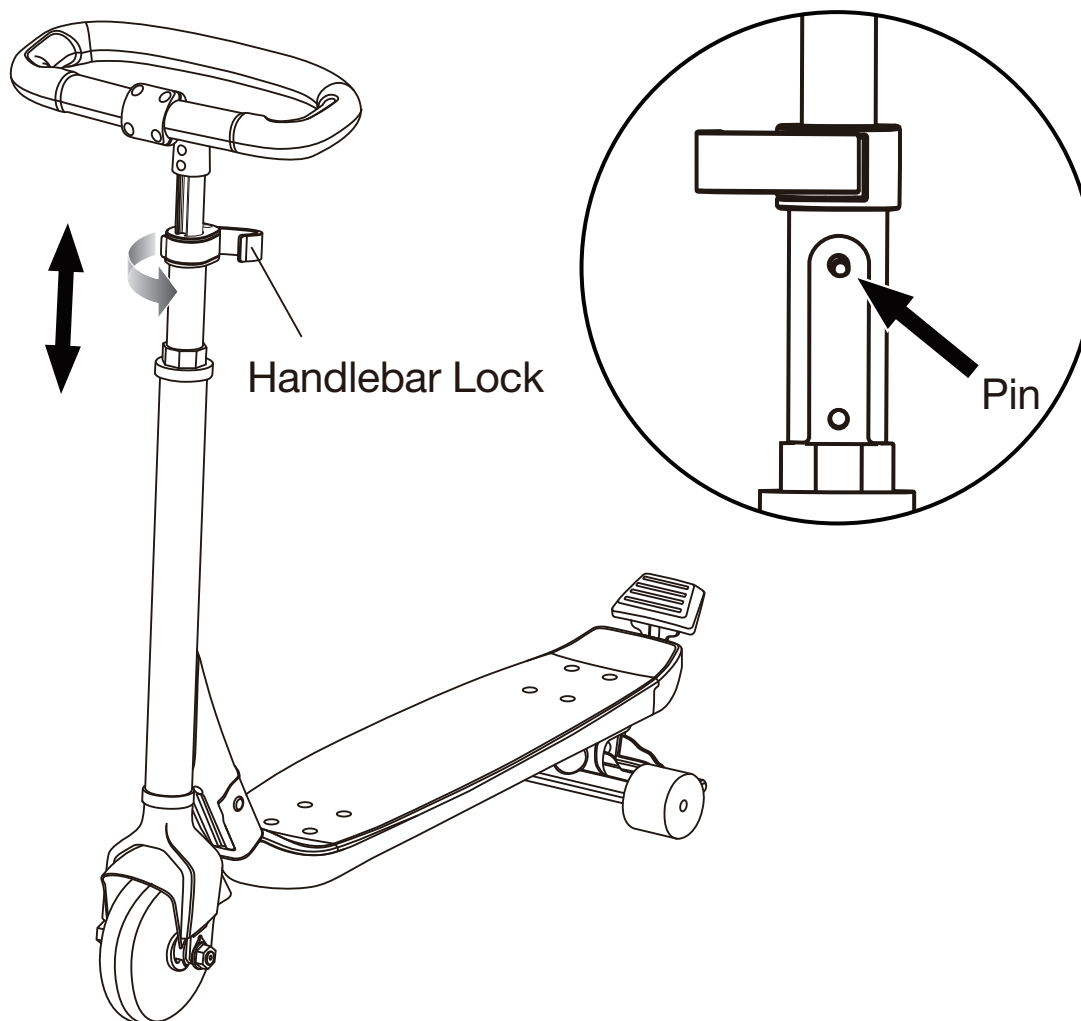
1. Locate the internal hex screws (12) and wrench (11) in the blister pack.
2. Locate the wire on the top end of the handlebar shaft (2), connect to the connectors inside the handlebar (1) and gently slide the wires into the handlebar.
3. Insert the handlebar into place on the handlebar shaft.
4. Insert the screws (12) into the holes on the handlebar.
5. Use the wrench (11) to tighten the screws.

NOTE: Before each use, check the condition of the handlebar. Tighten the screws around the handlebar lock when the handlebar is loose.



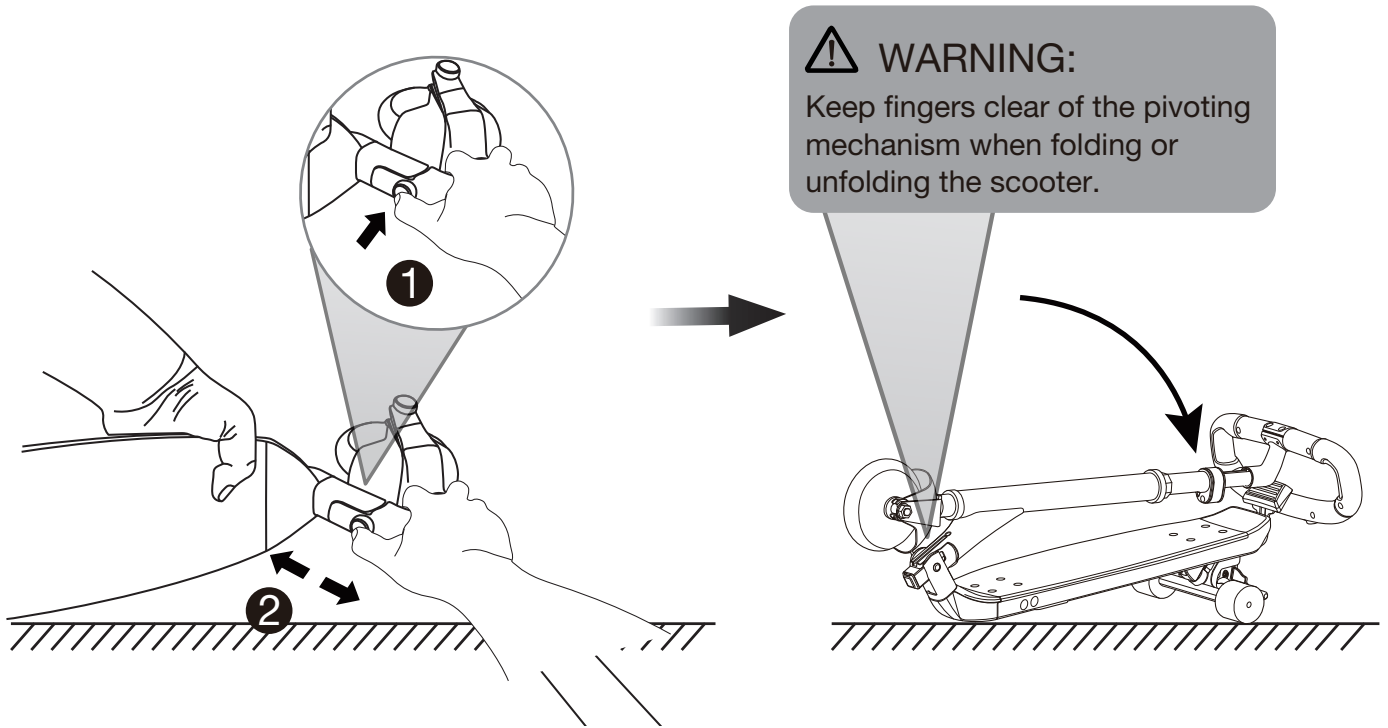
1. Align the two holes on the red brake pedal over the holes on the brake connector. The metal bracket should tuck into the plastic piece.
2. Insert the screws (13) into the holes on the brake connector.
3. Use a screwdriver to tighten the screws.

12 Adjust the Handlebar



1. Unlock the handlebar lock, push the pin into the handlebar.
2. Push down or pull up the handlebar to the next position until it clicks into place.
3. Lock the handlebar lock.

NOTE: There are two handlebar height positions to choose from.



To Fold:

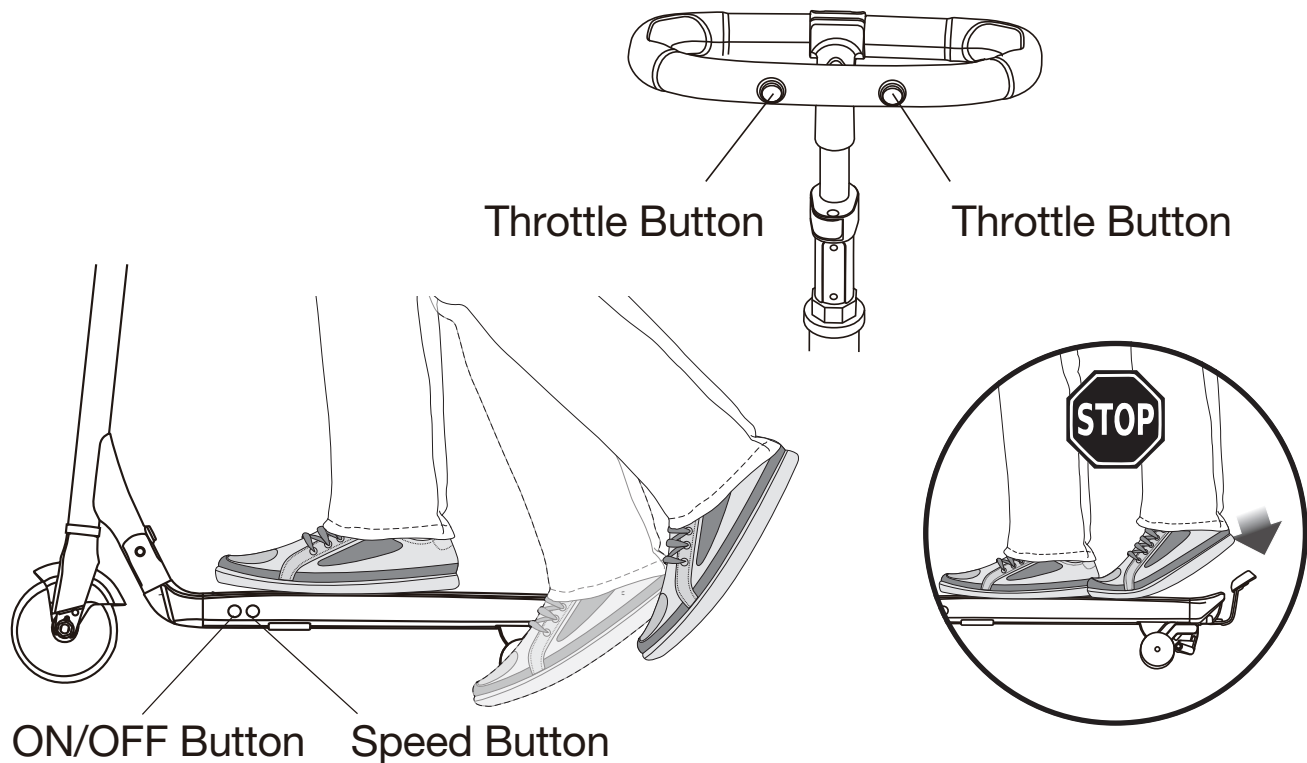
1. On a flat surface, lay the scooter down on its side (refer to the figure above). Hold the front bar with one hand and push in the red button with your thumb while holding the front end of the deck with the other hand. Then slide the front bar away from the deck to unlock the folding system.
2. Carefully collapse the front bar down to fold.

WARNING:

Keep fingers clear of the folding mechanism when folding or unfolding the scooter. Always make sure the handle is fully secure in the upright position prior to riding. The scooter does not lock in the folding position, use caution handling the scooter while it is folded.

For a video demonstration of the folding mechanism, please visit our website: www.rollplay.com or contact our Customer service team.

14 Operating Instructions



1. Make sure you are in a safe, outdoor environment.
2. Press the ON/OFF Button underneath the deck to turn on the scooter. The red light on the ON/OFF Button will light up to indicate that the power is on.
3. Use both hands to hold the handlebar and carefully step onto the scooter.
4. Kick to start. Once in motion, press one of the thumb throttle buttons to activate the motor. Note: The scooter must be traveling at least 3 mph (5 km/h) before the motor will engage.
5. To stop, release the throttle and press down on the foot brake on the back of the deck. Practice applying various pressures to the brakes at various speeds in an open area free of obstructions prior to riding around others.

NOTE: The scooter is designed to cut power to the motor when the foot brake is applied.

Speed Adjustment:

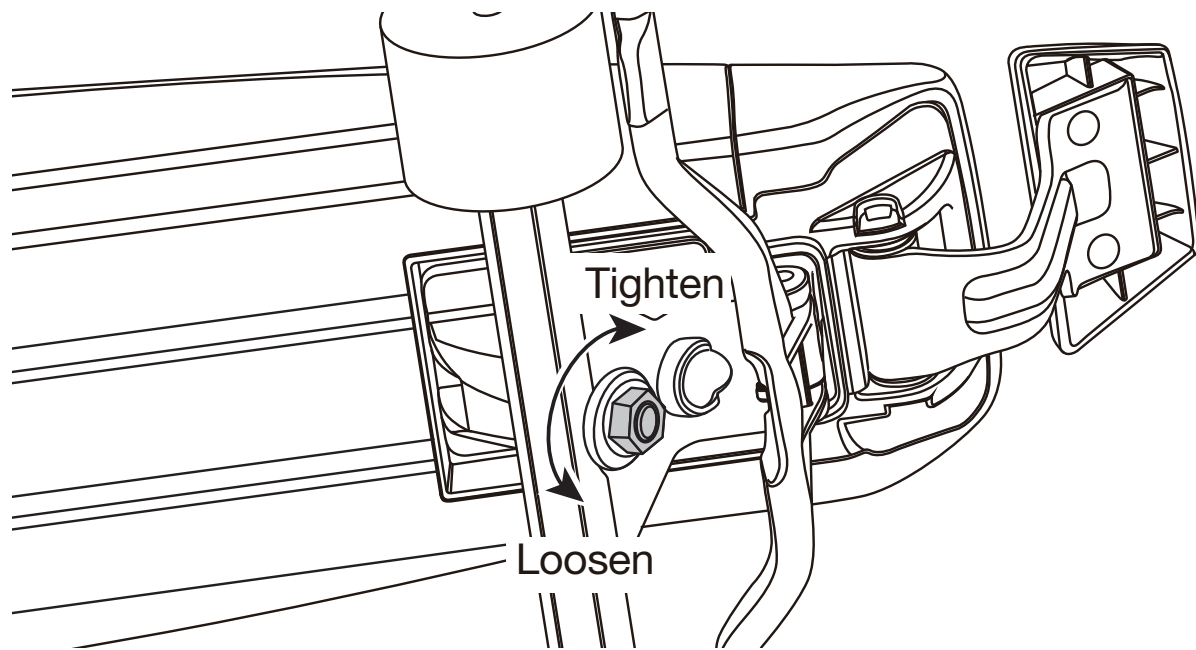
Press the Speed Button to adjust the maximum speed:

- The green light will turn on when the low maximum speed option of 5 mph (8 km/h) is activated.
- No light indicates that the high speed option of 10 mph (16 km/h) is the max speed.

Automatic Shut-down:

After 30 minutes of inactivity, the scooter will automatically power down. Press the ON/OFF Button to turn the scooter back on.

Rear Wheel Bracket Adjustment 15



Riders can adjust the tightness of the skateboard truck to their preference. The tightness of the truck determines how easy the scooter turns and how stable the ride feels. If the scooter feels unstable for the rider, it is recommended to check the rear wheels bracket. It can be adjusted by tightening the nut to increase stability. If the scooter feels too rigid and difficult to turn, slightly loosening the nut will improve the scooter reactivity.

NOTE : The nut may become loose overtime, which may cause instability. Please check and adjust periodically.

16 Pre-ride Checklist

Frame, Fork and Handlebar

Always check that the handlebar is securely upright and is secured at the correct height prior to use. Check for cracks or broken connections. Always inspect your scooter prior to riding.

Brake

Check the brake for proper function. When you step on the foot brake, the brake should provide resistance. When you apply the brake with the throttle on/engaged, the brake should automatically cut power to the motor.

Wheels

Periodically inspect the wheels for excessive wear. If the wheels develop flat spots or have excessive wear, please replace them using Rollplay replacement parts. Visit our website or contact our Customer Service team to order.

Hardware/Loose Parts

Before every ride, check all parts, such as nuts, bolts, fasteners, etc., to ensure they are secure and assembled correctly. There should not be any unusual rattles or sounds from loose parts or broken components. If the product is damaged, do not ride.

Proper Riding Attire

Always wear proper protective equipment, such as an approved safety helmet (with chin strap securely buckled), elbow pads, and kneepads. A helmet may be legally required by local law or regulation in your area. A long-sleeved shirt and long pants are recommended. Always wear closed toe, athletic shoes and keep shoelaces tied and out of the way of the wheels and motor. Never ride barefooted or in sandals.

Laws and Regulations

Follow all local laws and regulations regarding how and where to use the product legally. Follow all applicable laws for vehicles and pedestrians. Operators/riders shall adhere to all manufacturer's recommendations and instructions, as well as comply with all laws and ordinances.

Insurance

Do not assume that your existing insurance policies necessarily provide coverage for accidents involving the use of this scooter. Check with your insurance company for information regarding coverage.

Important Battery and Charger Information

- Only an adult who has read and understands the safety warnings may handle and operate the battery and battery charger. Keep away from children.
- Charge the battery for 12 hours before using the scooter for the first time.
- Charge the battery immediately after each use. Charge for at least 6 hours, but no more than 12 hours.
- Charge the battery at least once a month, even when the scooter is not used or stored.
- Never leave the battery in a discharged condition.
- Connect the terminal of the battery and charger, then plug the charger into a 120V AC outlet.
- It is normal for the charger to heat slightly. If the charger rises above 65°C / 149°F, disconnect the charger and call Customer Service for assistance.
- Keep the charger away from water or excessive moisture to prevent short-circuiting.
- Only use the charger specified with the original item. **Do not charge the battery with any other charger.**
- Do not attempt to recharge non-rechargeable batteries with the original charger.
- **Do not replace the battery with any other battery, or the warranty will be voided.** If you need a replacement battery, see Page 22 for replacement information.
- Remove damaged batteries from the scooter immediately. Recycle or dispose of the used batteries responsibly.
- Do not short circuit the supply terminals.

18 **General Care**

- Regularly inspect all scooter parts to ensure they are in good working condition.
- Regularly inspect the charger, cord, plug, and other related parts for damage.
- Remove any damaged parts and immediately contact Customer Service for replacement parts. See Service and Repairs on Page 22 for more information.
- DO NOT operate the scooter if there are any damaged parts.
- Carefully clean the scooter with a damp cloth and mild soap. Do not get water in or near any electrical parts. Do not wash the scooter with a hose.
- Store the scooter indoors or use a tarp to cover it. Keep away from stoves, heaters, or other sources of heat.

Troubleshooting Guide 19

Completely read through the manual and troubleshooting guide before contacting Customer Service.

Problem	Potential Cause	Solution
Scooter does not run	Battery is low	Recharge the battery
	Thermal fuse tripped	Restart the scooter
	Loose wires or loose connectors	Contact Customer Service
	Battery is dead	Contact Customer Service
	Electrical system is damaged	Contact Customer Service
	Motor is damaged	Contact Customer Service
Scooter only runs for a short time	Undercharged battery	Contact Customer Service
	Overcharged battery	Never charge the battery for more than 12 hours
	Battery is old	Contact Customer Service for a replacement battery.
Scooter runs slowly	Battery is not fully charged	Ensure a secure connection when the battery is recharging
	Battery is old	Contact Customer Service
	Too much weight on scooter	Reduce weight on scooter, weight should not exceed 65kg (143 lb)
	Harsh conditions	Operate the scooter on level ground and safe surfaces

Cleaning Your Scooter

Wipe with a damp cloth to remove dirt and dust. Do not use industrial cleaners or solvents as they may damage the surfaces. Do not use alcohol, alcohol-based or ammonia-based cleaners as they may damage or dissolve the plastic components or soften the decals or decal adhesive.

Battery Care and Disposal

Do not store in freezing or below freezing temperatures. To properly maintain your battery and ensure maximum battery life, carefully read the "Charging Instructions" section on page 8 of this owner's manual.

Battery pack should not be disassembled, crushed, punctured, opened or otherwise mutilated.

Disposal: Your lithium-ion battery pack must be recycled or disposed of in an environmentally safe manner. Do not dispose of a battery pack in a fire. The battery pack may explode.

Do not dispose of a battery pack in your regular household trash. The incineration, land filling or mixing of batteries with household trash is prohibited by law in most areas. Return exhausted batteries to a federal or state approved lithium-ion battery recycler.

Charger

The charger supplied with the scooter should be regularly examined for damage to the cord, plug, enclosure and other parts. In the event of such damage, the product must not be charged until it has been repaired or replaced. Use **ONLY** with the recommended charger.

Wheels and Bearings

Under normal circumstances and conditions, Rollplay wheels and wheel bearings are maintenance free. Nonetheless, it is the responsibility of the owner or guardian to periodically inspect the wheels for wear and tear, the axle for proper tightness, and bearings for side-to-side play, and loose parts. When a wheel or wheel bearing develops play, this is an indication of excess wear and replacement is necessary. Replace immediately with only genuine Rollplay wheels, which can be ordered on our site:

www.rollplay.com. Worn wheels/bearings are considered normal wear-and-tear and are not covered by the Rollplay Warranty. Wheels other than genuine Rollplay wheels may not be compatible with your Rollplay scooter. The use of anything other than genuine Rollplay replacement parts may affect your safety and will void your warranty.

This device complies with part 15 of the FCC Rules. Operation is subject to the following two conditions: (1) this device may not cause harmful interference, and (2) this device must accept any interference received, including interference that may cause undesired operation.

This equipment has been tested and found to comply with the limits for a Class B digital device, pursuant to Part 15 of the FCC Rules. These limits are designed to provide reasonable protection against harmful interference in a residential installation.

This equipment generates, uses and can radiate radio frequency energy. If not installed properly and used in accordance with the instructions, may cause harmful interference to radio communications. However, there is no guarantee that interference will not occur in a particular installation. If this equipment does cause harmful interference to radio or television reception, which can be determined by turning the equipment off and on, the user is encouraged to try to correct the interference by one or more of the following measures:

- Reorient or relocate the receiving antenna.
- Increase the distance between the equipment and the receiver.
- Consult dealer or an experienced radio/TV technician for help.
- Connect the equipment into an outlet on a circuit different from that to which the receiver is connected.
- Check the state or local requirements for the product before using the product.

Caution: Changes or modifications not expressly approved by the party responsible for compliance could void the user's authority to operate the equipment.

Before returning to the store, contact Rollplay with questions.

If your product requires service, repairs or replacement parts, please visit us online at www.rollplay.com

Or contact us at:

Phone: 1-888-982-9309

Email: customerservice@rollplay.com

Web: www.rollplay.com

Hours: 9 AM - 5 PM (CST), Monday - Friday

For a list of available replacement parts, please visit www.rollplay.com.

Rollplay 24-Volt Limited Warranty

- This one-year limited warranty covers the scooter against defects in materials and workmanship to the original purchaser. **Proof of purchase receipt from a Rollplay certified reseller is required. This one-year warranty does not include the 24V Battery.**
- Rollplay ensures the original 24-Volt battery is warranted for 6 months from initial purchase of the vehicle from a certified retailer. Proof of purchase receipt required.
- This warranty covers normal use and does not cover the Rollplay scooter or battery if deemed damaged by unreasonable use, modification, neglect, accident, abuse, misuse, improper service or other causes not arising out of defects in materials or workmanship. Evidence of any attempt at consumer repair will void this warranty.
- This warranty does not cover, and is not intended to exclude any liability on the part of Rollplay, whether under this warranty or implied by law for any indirect or consequential damages for breach of warranty. Some states may not allow the exclusion or limitation so this limitation may not apply to you.

Should you need service or assistance with your scooter during the warranty period:

- Please do not return scooter to the store.
 - Consult the troubleshooting guide in this manual and online at www.rollplay.com
- or
- Call Rollplay Customer Service at 1-888-982-9309

Note: This warranty gives you specific legal rights. You may also have other rights that may vary from state to state.

Please save your original sales receipt.

24 Product Registration

Fill out the form below and mail it to:

Rollplay Products
1131 W. Blackhawk St.
Second Floor
Chicago, IL 60642

OR fill out the form online at www.rollplay.com.

We will use the information provided only for your warranty. We will not sell, rent or share your personal information.

Product Registration

First Name: _____ Last Name: _____ Title: _____

Address: _____

City: _____ State: _____ Zip Code: _____

Email: _____ Phone: _____

Date of Purchase: _____

The following product information is on the cover of the owner's manual.

Product Name: _____ Model Number: _____

Serial Number: _____ Place of Purchase: _____

Questions or comments? Contact us at www.rollplay.com or 1-888-982-9309