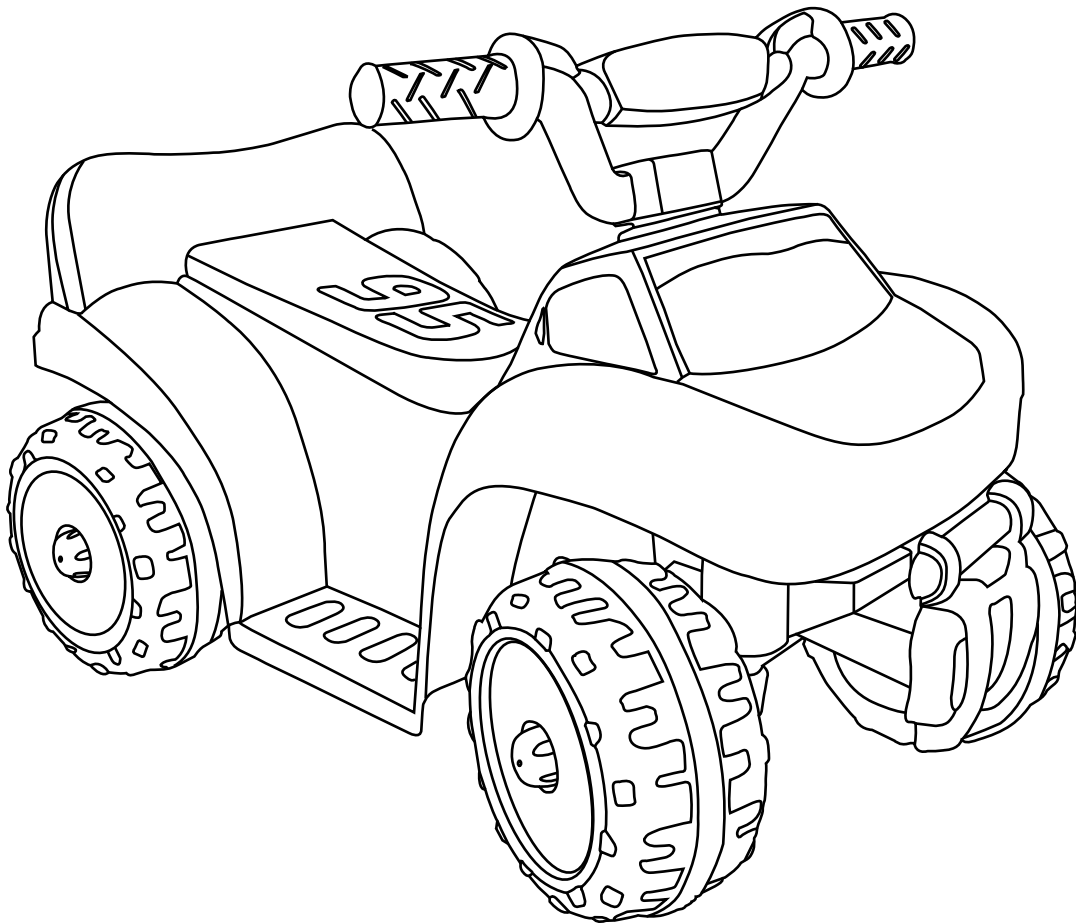


6Volt Mini Quad

User Manual

Item No.:5654

Model No:ZP5115



Please read manual carefully before use.

Always wear a helmet and protective clothing when riding

The manual and packaging should be well kept since it contains important information.

Suitable for ages 18 mths +

Adult Assembly Required.

Charging the battery can only be done by adults at all times.

Before first time use, charge the battery at least 10 hours.

Made in China

**THIS VEHICLE MUST BE ASSEMBLED BY AN ADULT.
WARNING : PLEASE READ THIS MANUAL
THOROUGHLY BEFORE OPERATION.**

1. Product Specifications
2. Warnings
3. Parts list
4. Assembly
5. Assembly (cont)
6. Assembly (cont)
7. Assembly (cont) & Battery charging
8. Battery charging (cont)
9. Battery charging (cont)
10. Operating features / Safety precautions
11. Trouble shooting / Battery disposal /Fuse
12. Vehicle maintenance
13. Safety warnings

PRODUCT SPECIFICATION

Age grade	18 mths +
Max user weight	25kgs
Max speed	2.5 km/h
Charger input	AC 240V 50Hz
Charging time	8-10 hours
Battery	6V 4.5Ah x 1
Product Dimensions	(approx) 70*42*47cm
Charger life	(approx) 300 charges
Charger output	DC 6V 500Ma

**PLEASE NOTE: IN CASE OF PRODUCT FAULT DO NOT RETURN THIS PRODUCT TO STORE.
PLEASE CONTACT HUNTER PRODUCTS CUSTOMER SERVICE TOLL FREE NUMBER: 1800 224 094**

WARNING!

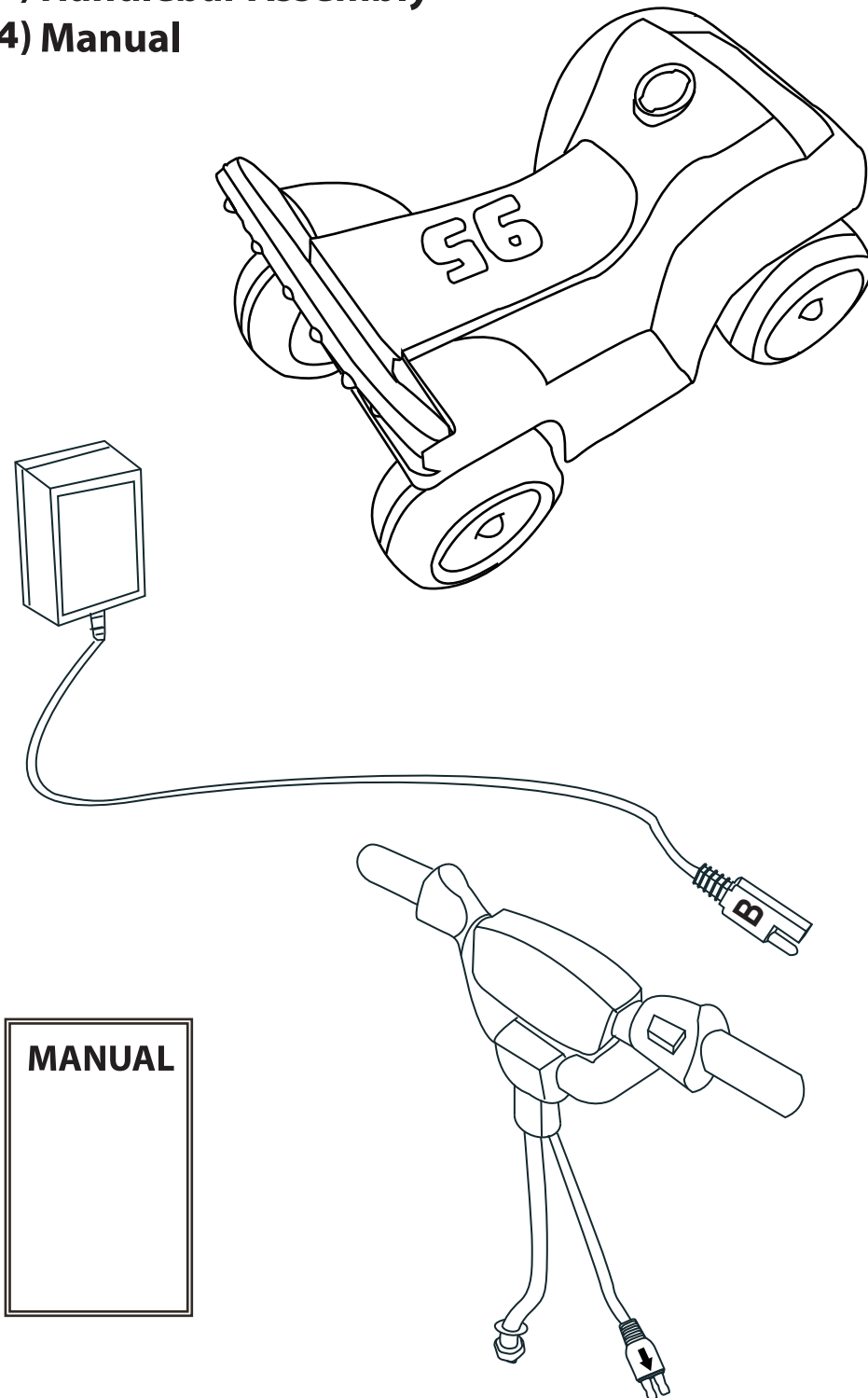
- To reduce the risk of injury, adult supervision is required. Never use in roadways, near motor vehicles, on or near steep inclines or steps, swimming pools or other bodies of water. Always wear shoes and a helmet.
- Never allow more than 1 rider.
- **TO PREVENT FIRE AND ELECTRIC SHOCK:**
 - Only use battery and charger provided and specified by manufacturer. Use of the wrong type of battery for charger could cause a fire or explosion.
 - **DO NOT** use the battery or charger for any other product. Overheating, fire or explosion could occur.
 - **NEVER** modify the electric circuit system. Alterations could cause a shock, fire or explosion.
 - **DO NOT** allow any type of liquid on the battery or its components. Explosive gases are created during charging. **DO NOT** charge near heat or flammable materials. Charge in a well ventilated area **ONLY**.
- Charge the battery in a dry area **ONLY**.
- **DO NOT** open the battery. Battery contains lead acid and other materials that are toxic and corrosive.
- **DO NOT** open the charger. Exposed wiring and circuitry inside case may cause electric shock.
- **ONLY ADULTS** may handle or charge the battery. **NEVER** allow child to handle or charge the battery. Battery is heavy and contains lead acid (electrolyte).
- **DO NOT** drop the battery. Permanent damage to the battery could occur or cause serious injury.
- Before charging the battery, check for wear or damage to the battery, charger and the connectors. **DO NOT** charge the battery if any damage to parts has occurred. Replace with manufacturer's parts **ONLY**.
- **DO NOT** allow the battery to drain completely, recharge the battery after each use or once a month if not used regularly.
- **DO NOT** charge battery upside down.
- Always secure the battery with the bracket. Battery can fall out and injure a child if vehicle tips over.
- **If a battery leak develops**, avoid contact with the leaking acid and place the damaged battery in a plastic bag. See information in "Disposal of Battery" for proper disposal.
- **If acid comes in contact with skin or eyes**, flush with cool water for at least 15 minutes and call a physician.
- **If acid is internally ingested**, give water, milk of magnesia or egg white immediately. Never give emetics or induce vomiting. Call a physician.

PLEASE NOTE: IN CASE OF PRODUCT FAULT DO NOT RETURN THIS PRODUCT TO STORE.

PLEASE CONTACT HUNTER PRODUCTS CUSTOMER SERVICE TOLL FREE NUMBER: 1800 224 094

List of Parts

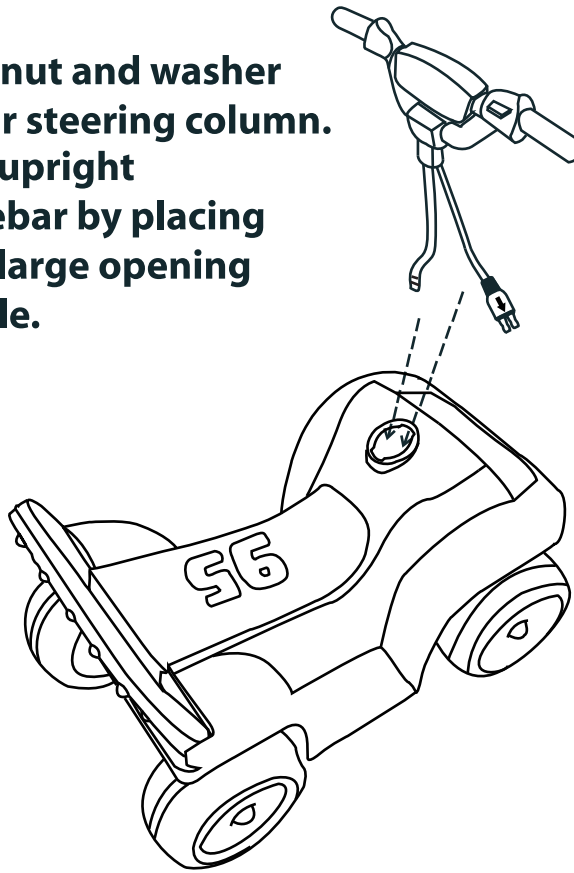
- (1) Main Body
- (2) Charger
- (3) Handlebar Assembly
- (4) Manual



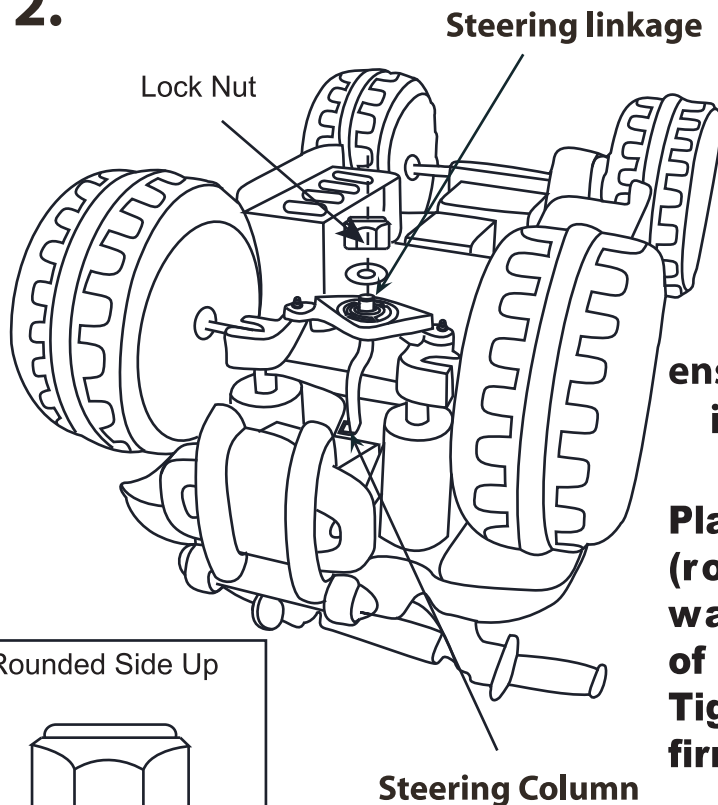
**PLEASE NOTE: IN CASE OF PRODUCT FAULT DO NOT RETURN THIS PRODUCT TO STORE.
PLEASE CONTACT HUNTER PRODUCTS CUSTOMER SERVICE TOLL FREE NUMBER: 1800 224 094**

ASSEMBLY

- 1. Remove the locknut and washer off the handlebar steering column. Keeping vehicle upright assemble handlebar by placing it down into the large opening on front of vehicle.**



2.

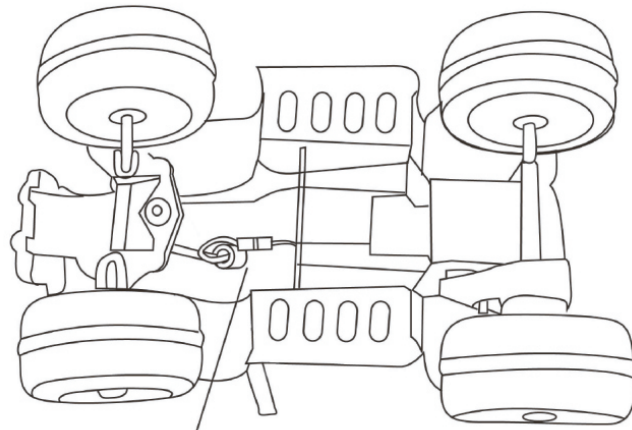


Turning vehicle over ensure steering column is placed through the steering linkage.

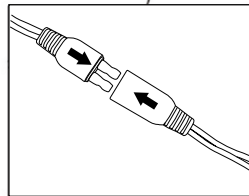
Place the lock nut (rounded side up) and washer on to the end of the steering column. Tighten the lock nut firmly .

PLEASE NOTE: IN CASE OF PRODUCT FAULT DO NOT RETURN THIS PRODUCT TO STORE. PLEASE CONTACT HUNTER PRODUCTS CUSTOMER SERVICE TOLL FREE NUMBER: 1800 224 094

3.



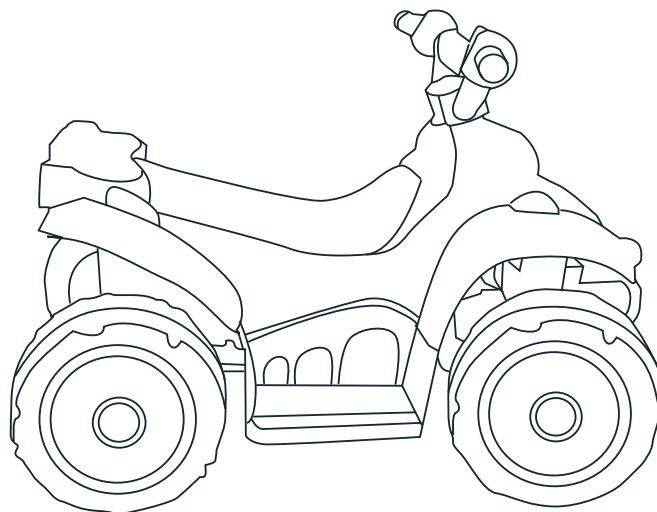
Connect handlebar and motor connectors.



4.

PULL UP

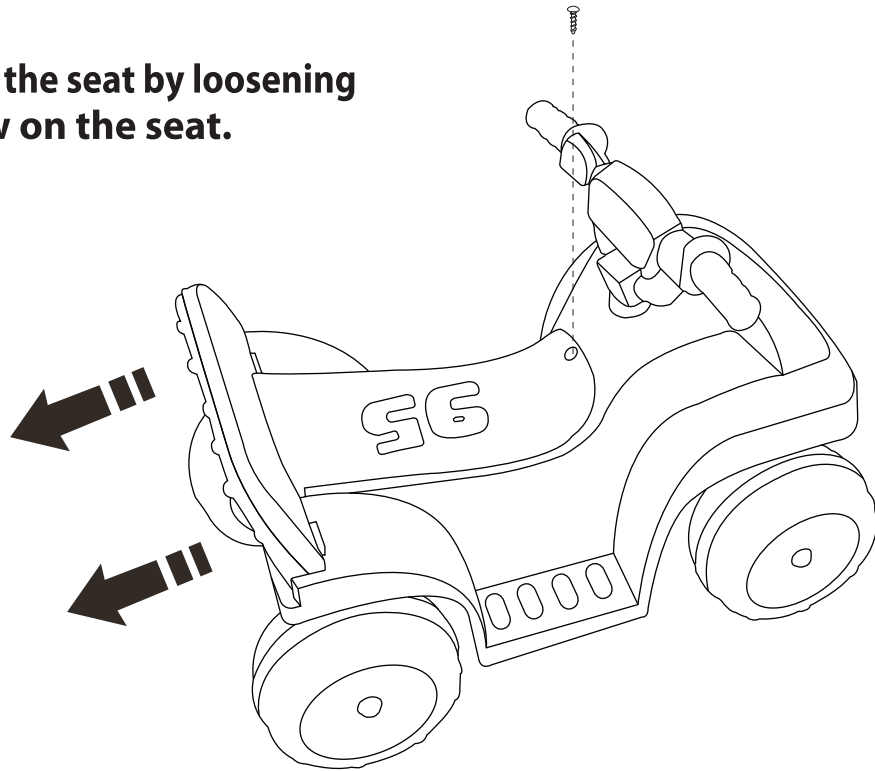
**Turn the vehicle upright and
Pull the handlebar up to be sure
the steering column is secure.**



**PLEASE NOTE: IN CASE OF PRODUCT FAULT DO NOT RETURN THIS PRODUCT TO STORE.
PLEASE CONTACT HUNTER PRODUCTS CUSTOMER SERVICE TOLL FREE NUMBER: 1800 224 094**

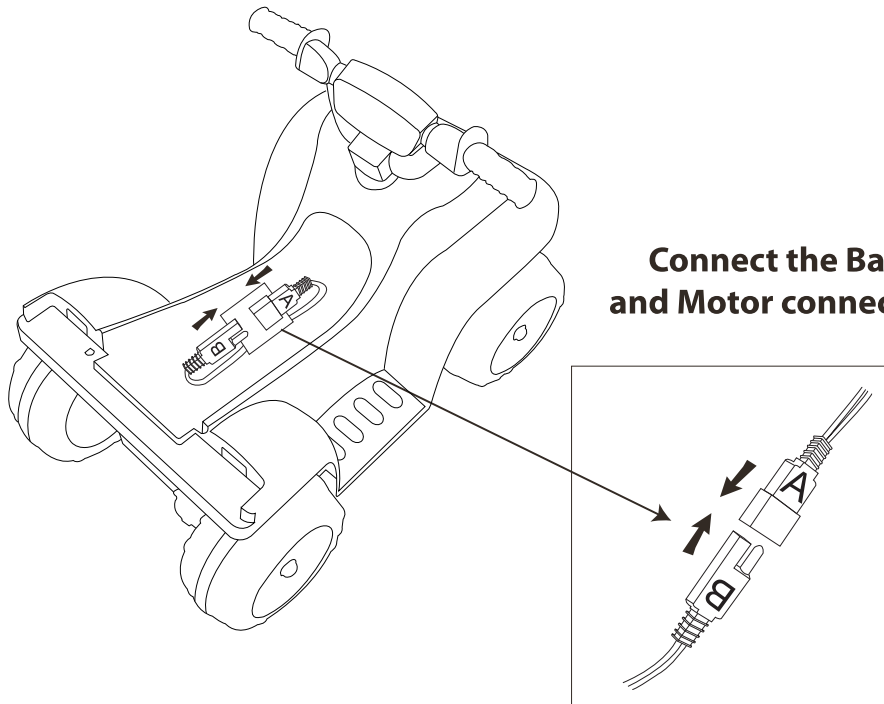
5.

**Open the seat by loosening
screw on the seat.**



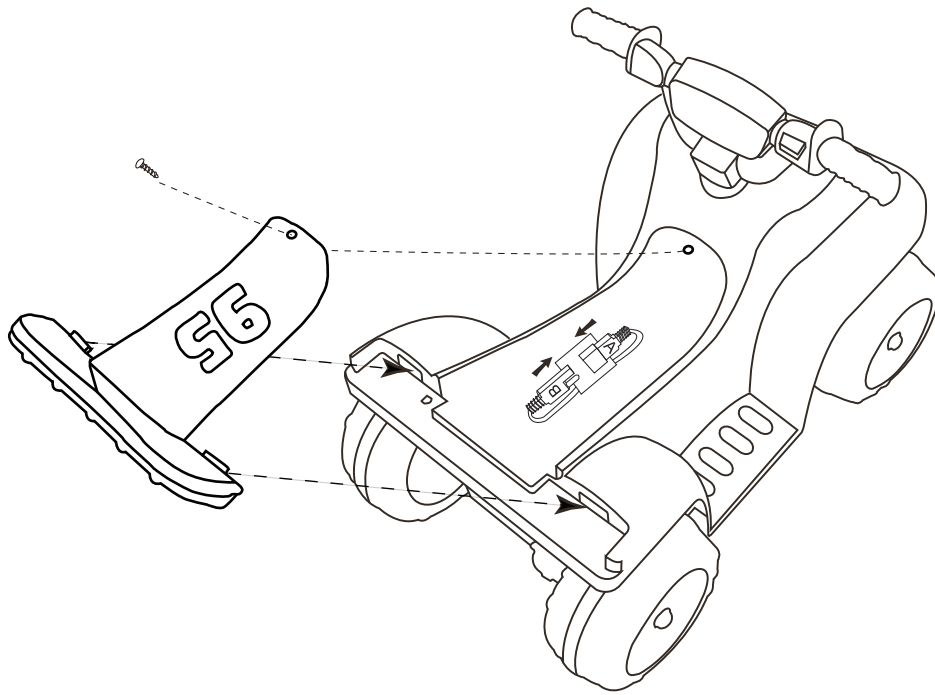
6.

**Connect the Battery
and Motor connectors.**



**PLEASE NOTE: IN CASE OF PRODUCT FAULT DO NOT RETURN THIS PRODUCT TO STORE.
PLEASE CONTACT HUNTER PRODUCTS CUSTOMER SERVICE TOLL FREE NUMBER: 1800 224 094**

7. Close the seat.



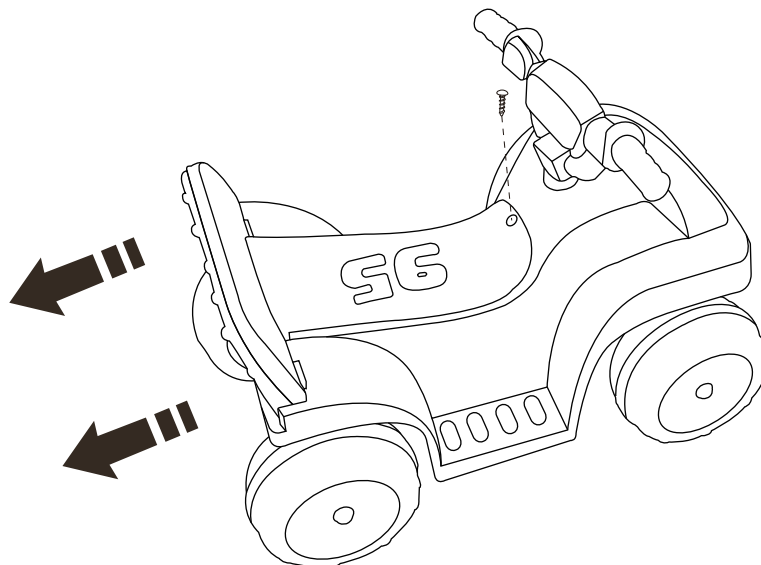
IV. BATTERY CHARGING

IMPORTANT! Before first time use, charge the battery for at least 10 hours.

Never charge the battery longer than 15 hours.

1.

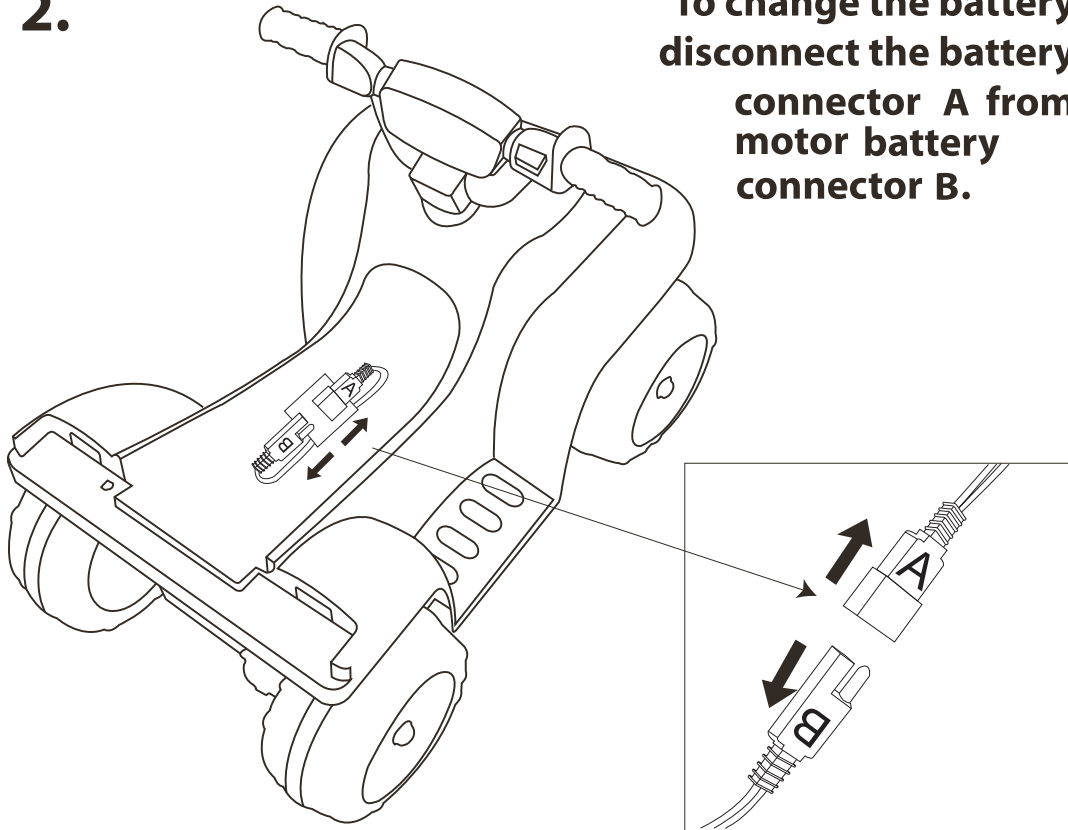
Open the seat by loosening screw on the seat.



**PLEASE NOTE: IN CASE OF PRODUCT FAULT DO NOT RETURN THIS PRODUCT TO STORE.
PLEASE CONTACT HUNTER PRODUCTS CUSTOMER SERVICE TOLL FREE NUMBER: 1800 224 094**

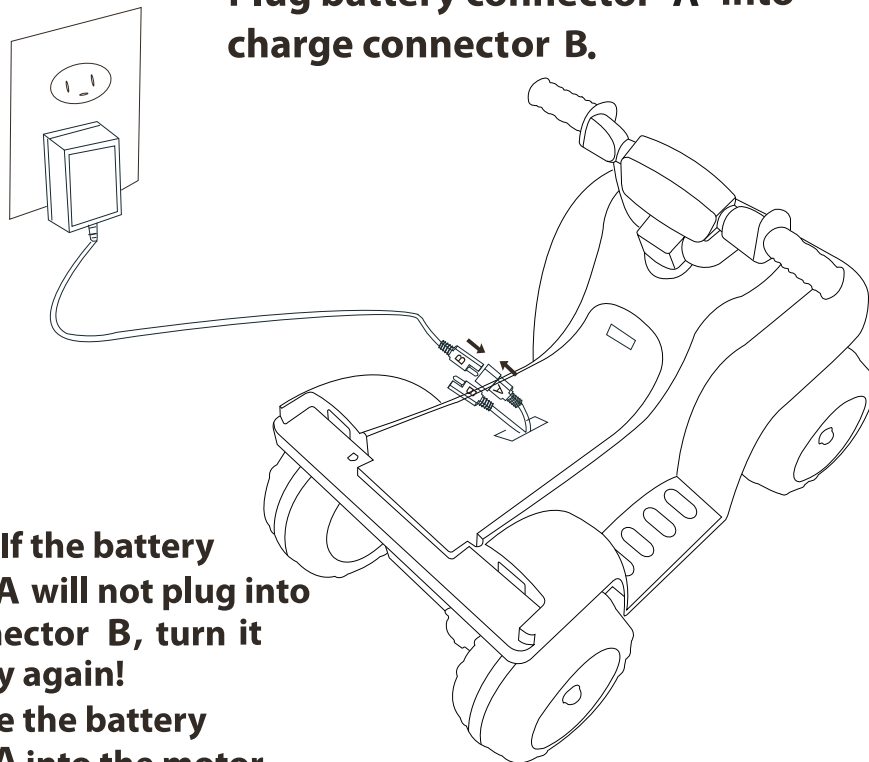
2.

To change the battery disconnect the battery connector A from motor battery connector B.



3.

Plug battery connector A into charge connector B.

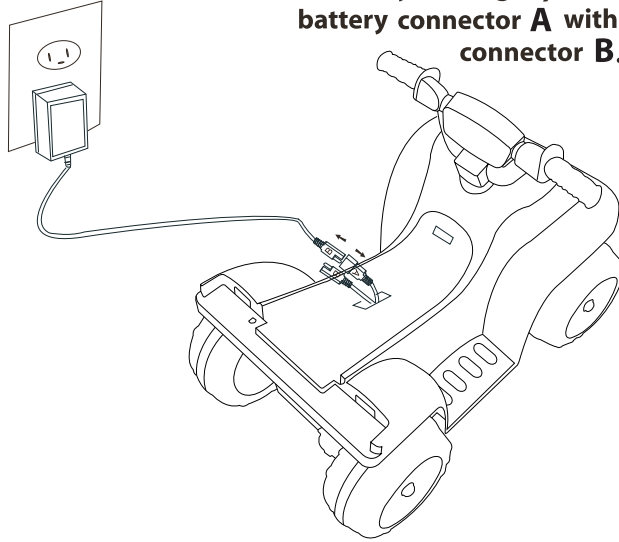


**Important: If the battery connector A will not plug into motor connector B, turn it over and try again!
Do not force the battery connector A into the motor connector B.**

**PLEASE NOTE: IN CASE OF PRODUCT FAULT DO NOT RETURN THIS PRODUCT TO STORE.
PLEASE CONTACT HUNTER PRODUCTS CUSTOMER SERVICE TOLL FREE NUMBER: 1800 224 094**

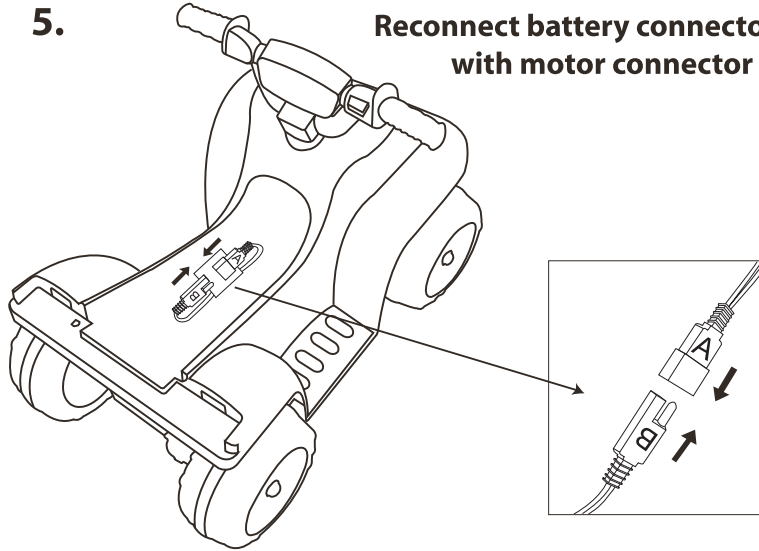
4.

Once battery is charged, disconnect battery connector A with charger connector B.



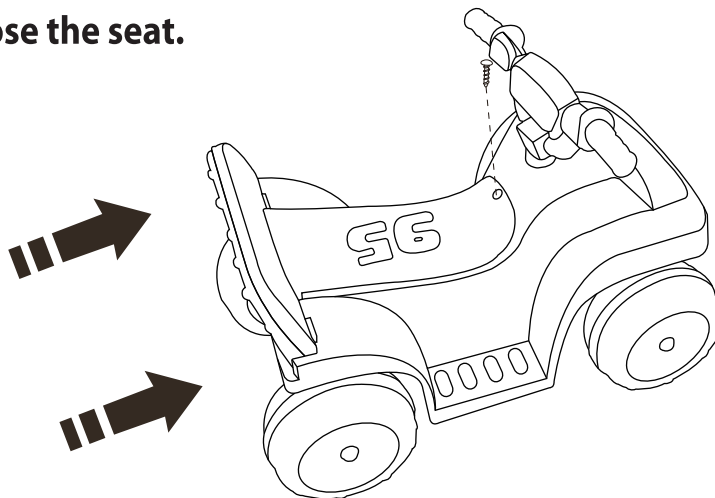
5.

Reconnect battery connector A with motor connector B.



6.

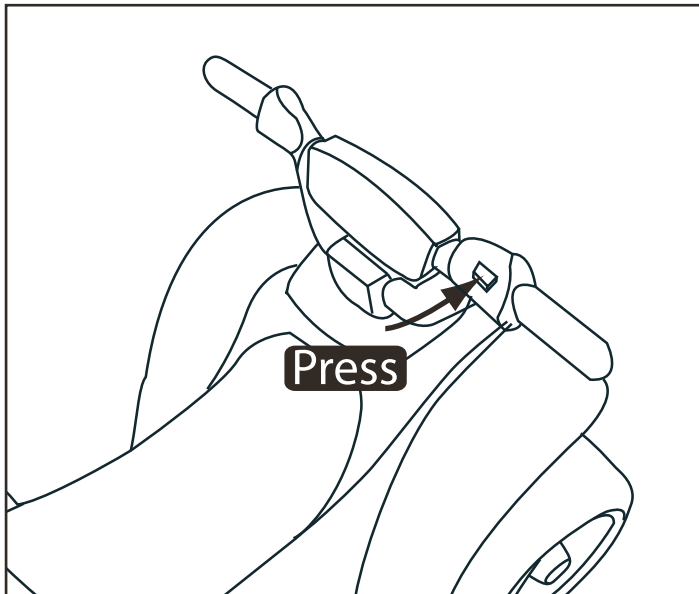
Close the seat.



**PLEASE NOTE: IN CASE OF PRODUCT FAULT DO NOT RETURN THIS PRODUCT TO STORE.
PLEASE CONTACT HUNTER PRODUCTS CUSTOMER SERVICE TOLL FREE NUMBER: 1800 224 094**

OPERATING FEATURES

Press button to go, release button to stop.



WARNING!

This quad is equipped with a self-resetting built-in thermal fuse. Please see page 11 for more details.

VI. SAFETY SPECIFICATIONS

1. Your new battery must be charged for at least 10 hours before you use it in your vehicle for the first time. We recommend that you start charging your battery before beginning assembly of your new vehicle.
2. The child must have Adult supervision at all times.
3. Do not ride on the road, footpaths, near pools, or bodies of water.
4. Do not allow children under the suitable age to ride the vehicle, please refer to the age grading.
5. Do not allow rider greater than the recommended weight rating or over aged children to use the vehicle.
6. To "stop" you must take your hand off the button.
7. Charging should only be done by an adult.
8. An adult must teach the child how to operate the vehicle.
9. Do not ride on slopes greater than 15 degrees, sand or other soft wet or slippery surfaces.
10. Do not use a different size battery.
11. The vehicle is designed to load only one person. Over load is prohibited.
12. This product should be assembled and checked by adults before use.
13. Don't wash the vehicle with water. Just clean it with a cloth.

**PLEASE NOTE: IN CASE OF PRODUCT FAULT DO NOT RETURN THIS PRODUCT TO STORE.
PLEASE CONTACT HUNTER PRODUCTS CUSTOMER SERVICE TOLL FREE NUMBER: 1800 224 094**

TROUBLE SHOOTING

1. If the car can't start.

A. Make sure all wires are connected.

B. Make sure the on/off switch is in the "on" position.

2. If the speed is too slow.

A. Battery need to be charged.

B. Make sure battery has been fully charged for 8-10 hrs

3. If the battery can't charge.

A. Make sure you are using one 6-Volt batteries in the vehicle.

B. Batteries may need to be replaced.

C. Check to see if charger is damaged. Never use a charger with torn wires.

4. About the charging.

A. Charging time about 8-10 hours, don't charge over 15 hours. It is normal when the charger appears a little hot.

B. After using, please charge. also charge it full before using for the first time. Charge once or twice per month.

C. Please move any connector from battery when not in use for a long time.

D. Do not drain battery completely.

BATTERY DISPOSAL



- Your battery is a non-spillable sealed lead-acid battery. It must be recycled or disposed of in an environmentally sound manner.
- Do not dispose of a lead-acid battery in a fire. The battery may explode or leak.

FUSE

The vehicle is equipped with a self-resetting fuse. When the vehicle is overloaded or operated incorrectly ;the self-resetting fuse will be cut off for 2 minutes before becoming operational again.

The self-resetting fuse is included in the sealed battery.

To use the vehicle, follow these guidelines:

- DO NOT overload the vehicle. Maximum weight allowed: 25kg.
- DO NOT tow any thing behind the vehicle.
- DO NOT drive up steep slopes.
- DO NOT drive into fixed objects, which may cause the wheels to spin, causing the motor to overheat.
- DO NOT drive in very hot weather, components may overheat.
- DO NOT allow water or other liquids to come in contact with the battery or other electric components.
- DO NOT tamper with the electric system. Doing so may create a short circuit, causing the fuse to trip.

PLEASE NOTE: IN CASE OF PRODUCT FAULT DO NOT RETURN THIS PRODUCT TO STORE.

PLEASE CONTACT HUNTER PRODUCTS CUSTOMER SERVICE TOLL FREE NUMBER: 1800 224 094

MAINTAINING YOUR VEHICLE

- Occasionally use a lightweight oil to lubricate moving parts such as wheels and the steering linkages.
- Park the vehicle indoors or cover it with a tarp to protect it from wet weather.
- Keep the vehicle away from sources of heat, such as stoves and heaters. Plastic parts may melt.
- ADULTS ONLY: recharge the battery after each use. Recharge the battery at least once a month when the vehicle is not being used.
- DO NOT wash the vehicle with a hose. DO NOT wash the vehicle with soap and water. DO NOT drive the vehicle in rainy or snowy weather. Water will damage the motor, electric system and battery.
- Clean the vehicle with a soft, dry cloth. To restore shine to plastic parts, use a nonwax furniture polish. DO NOT use car wax. DO NOT use abrasive cleaners.
- DO NOT drive the vehicle in loose dirt, sand or fine gravel, which could damage moving parts, motors or the electric system.
- **Warranty period is 90 days from the date of purchase.**

**PLEASE NOTE: IN CASE OF PRODUCT FAULT DO NOT RETURN THIS PRODUCT TO STORE.
PLEASE CONTACT HUNTER PRODUCTS CUSTOMER SERVICE TOLL FREE NUMBER: 1800 224 094**

WARNING NOTICE

Before first time use, charge the battery for at least 10 hours.

- Never charge the battery longer than 15 hours.
 - Requires responsible adult supervision
 - Always wear your helmet when riding
 - Riding at night or dusk is prohibited!
- Keep child away from traffic, inclines, stairs steep gradient, narrow passages, pools or any body of water
 - Only ride outside the pool's fenced area
 - One child per vehicle only!
- Child should be made aware of rules for safe riding
 - Always wear proper protective footwear
 - Only ride on smooth flat dry surfaces

ENJOY YOUR RIDING!

FOR CUSTOMER SERVICE OR PRODUCT ENQUIRIES
PLEASE CONTACT HUNTER PRODUCTS CUSTOMER SERVICE
TOLL FREE NUMBER: 1800 224 094