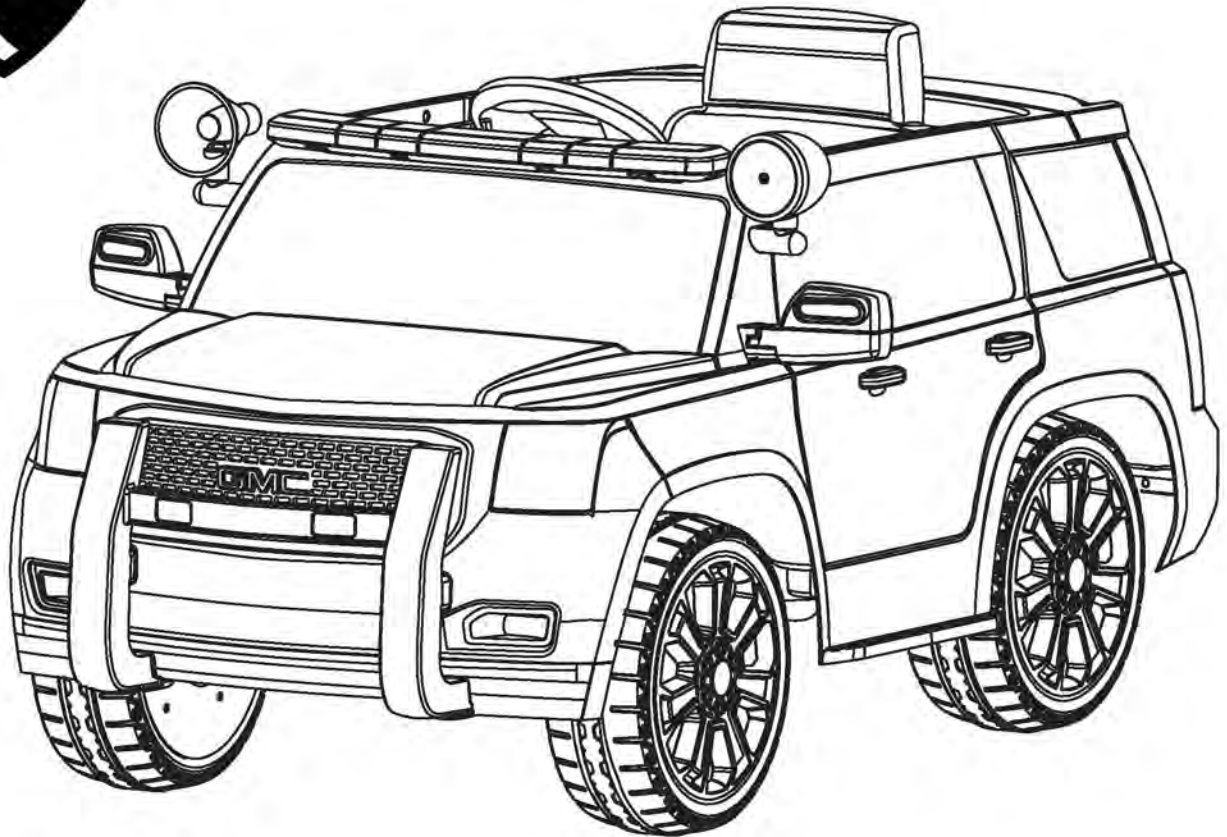




6V GMC Yukon Denali Police SUV



Owner's Manual and Assembly Instructions

Model #: W510AC-PC

Read and understand the entire manual before assembly and operation. The vehicle must be assembled by an adult who has read and understands the instructions.

Made in China.



If you are experiencing any difficulties with this product, please contact Hunter Products Customer Service at **www.electricrideon.com.au** or Toll Free Number **1800 224 094** for service assistance.

IMPORTANT:
Save this manual with your sales receipt.



Introduction

Thank you for purchasing this RollPlay vehicle from Hunter Products. We hope the rider enjoys it for miles to come. Please read this instruction guide carefully before assembling and operating the vehicle. Please have your model number and serial number ready before calling. Please have proof of purchase.

Please contact Hunter Products Customer Service with any questions.

Hunter Products Pty Ltd

Hours: 9:00am – 5:00pm (AEST) Monday - Friday

Service Phone: 1800224094

Web: www.electricrideon.com.au

EMAIL: enquiries@hunterproducts.com.au

Specifications:

BATTERY	6V 7AH
MOTOR	6V 15W
AGE	3 Years and Up
MAX WEIGHT	35 kg (77 lbs)
PRODUCT SIZE	121 x 47 x 65 cm (47.6" x 18.5" x 25.6")
SPEED	4 km/h (2.5 MPH)
RECHARGE TIME	8-12 Hours
TYPICAL RUN TIME	1-2 Hours
CHARGER OUTPUT	DC 7.0V0.7A

IMPORTANT!

**YOU MUST CHARGE THE BATTERY
FOR 24 HOURS BEFORE FIRST USE!**

Charge the battery after each use.

Charge the battery at least once a month, even if the vehicle is not in use.

Email or call Customer Service if you need assistance or replacement parts.



QUESTIONS AND SERVICE
PLEASE CALL: 1800 224 094
email: enquiries@hunterproducts.com.au

**Read this entire manual to ensure
proper assembly and safe operation
of the vehicle.**

This page intentionally left blank

Safety	6
User Requirements	7
Parts	10
Charging Instructions	11
Assemble the Wheels	12
Assemble the Right Rear Wheel	13
Assemble the Mirrors	14
Attach the Megaphone/Searchlight	15
Assemble the Steering Wheel	16
Assemble the Front Bumper	17
Assemble the Seat	18
Operation Instructions	19
Battery Removal	20
Seatbelt	21
Maintenance	22
General Care	23
Troubleshooting Guide	24
Service and Repairs	25
Warranty	26
Product Registration	27



WARNING: SAFETY RIDING RULES

The user must follow all safety rules and guidelines, or serious injury or death may occur to the user.

- Always use common sense and safe practices when using the vehicle. The user must be at least 3 years old and weigh no more than 35kg (77 lbs).
- This product contains small parts that are for adult assembly only. Keep small children away when assembling. Remove and dispose of all protective material and plastic bags before assembly.
- **Riding the vehicle without a helmet. Riders must always wear a fitted helmet that complies with Australian Standard [AS/NZS 2063:2008](#).**
- Only sit on the seat in the vehicle.
- Do not allow more than one rider.
- Do not overload the vehicle. Do not remove the weight restriction decals.
- Do not pull the vehicle with another vehicle or similar device.
- Keep body parts such as hands, legs, hair and clothing away from moving parts. Moving parts can cause serious injury.
- Always wear shoes in the vehicle.
- Do not operate near streets or motor vehicles.
- Do not operate near drop-offs such as steps, steep inclines or hills. Operate on relatively level ground.
- **Do not operate near water, swimming pools or other fluids.**
- Do not operate in dangerous weather conditions such as rain or snow.
- **Do not operate near loose dirt, mud, sand or fine gravel.**
- **Do not operate near flammable vapors (gasoline, paint thinner, acetone, etc.).**
- Always use the vehicle in a safe, secure environment with adult supervision.

PREVENT INJURIES AND DEATHS:

- **NEVER LEAVE CHILD UNATTENDED. ALWAYS** keep child in view when child is in vehicle. Direct adult supervision is **REQUIRED**.
- **NEVER** use in roadways, near cars, on or near steep inclines or steps, swimming pools or other bodies of water.
- **ALWAYS** wear shoes.
- **ALWAYS** sit on the seat.
- **RISK OF FIRE.** Do not bypass.

Age Range	3 and 7 years
Weight Range	No more than 77 lbs (35kg)

Before using the vehicle the child should understand the vehicle controls and safety issues. They must also demonstrate the capability to handle the vehicle and operate its controls. It is the responsibility of the adult to educate the child and supervise the vehicles use.

Read the following safety warnings to any child using the vehicle Ride-on:

WARNING!

PREVENT INJURIES AND DEATHS:

- **NEVER LEAVE CHILD UNATTENDED. ALWAYS** keep child in view when child is in vehicle. Direct adult supervision is **REQUIRED**.
- **NEVER** use in roadways, near cars, on or near steep inclines or steps, swimming pools or other bodies of water.
- **ALWAYS** wear shoes.
- **ALWAYS** sit on the seat.
- **RISK OF FIRE.** Do not bypass.
- **NEVER** allow more than one (1) rider in the vehicle Ride on.
- Adult assembly required.
- Only use the vehicle when an adult is present to watch (supervise).
- Always sit in the seat when using the vehicle.
- Keep your hands, hair and clothes away from moving parts.
- Always wear shoes when using the vehicle.
- Only one rider is allowed at a time on the vehicle Ride-on.
- Children under three years old cannot use the vehicle.
- Only drive on level ground.
- Do not go near water, drop-offs or up and down steep slopes.
- Do not drive the vehicle into loose dirt, mud, and or fine gravel.
- Do not drive the vehicle on streets or near cars.

8 Charging the Battery: Warnings

WARNING!

The following safety hazards may result in serious injury or death to the user of the vehicle:



- Use of a battery or charger other than the supplied 12v rechargeable battery and charger may cause a fire or explosion. Only use the supplied 6v rechargeable battery and charger with the vehicle.
- Using the 6v rechargeable battery and charger for any other product may result in over heating, fire or explosion. Never use the 6v rechargeable battery and charger with another product.
- Explosive gases are created during charging. Charge the battery in a well ventilated area. Do not charge the battery near heat or flammable materials.
- Contact between the positive and negative terminals may result in fire or explosion. vehicle direct contact between the terminals. Picking up the battery by the wires or charger can cause damage to the battery and may result in a fire. Always pick up the battery by it's case or handles.
- Liquids on the battery may cause fire or electric shock. Always keep all liquids away from the battery and keep the battery dry.



- Contact or exposure to battery leakage (lead acid) may cause serious injury. If contact or exposure occurs immediately call your physician. If the chemical is on the skin or in the eyes, flush with cool water for 15 minutes. If the chemical was swallowed, immediately give the person water or milk. Do not give water or milk if the patient is vomiting or has a decreased level of alertness. Do not induce vomiting.



WARNING!

- Battery posts, terminals and related accessories contain lead and lead compounds (acid), chemicals and are toxic and corrosive. Never open the battery.



- Tampering or modifying the electric circuit system may cause a **shock, fire** or explosion and permanently damage the system. Exposed wiring, circuitry in the charger may cause electric shock. Always keep the charger housing closed.

Important! Before using the vehicle for the time the battery needs to be charged for a full twenty-four hours (no more than thirty hours). Only an adult who has read and understands the following safety warnings should handle, charge or recharge of the battery (see Maintenance).

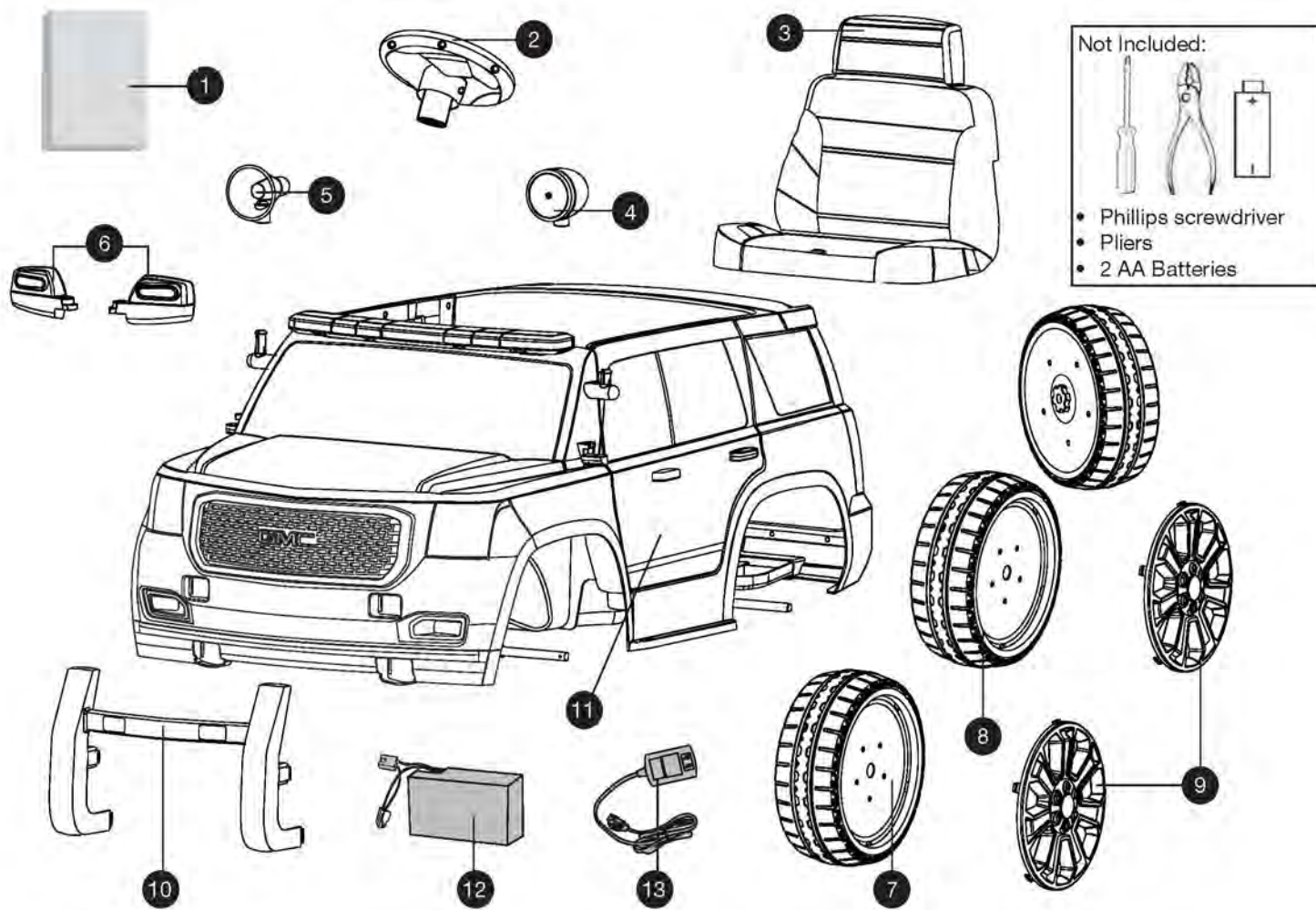
Note: It is not necessary to remove the battery from the vehicle for charging. However, if the adapter cord will not safely reach a 240V wall outlet, the battery can be removed for charging (see page 20 for instructions concerning battery replacement).



WARNING!

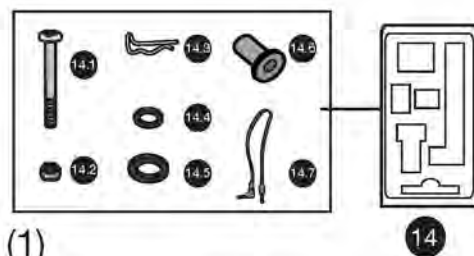
- Non-rechargeable batteries are not to be recharged;
- Batteries are to be inserted with the correct polarity;
- Exhausted batteries are to be removed from the toy;
- The supply terminals are not to be short-circuited.
- Rechargeable batteries are only to be charged under adult supervision;
- Rechargeable batteries are to be removed from the toy before being charged;

10 Parts



- 1. Manual
- 2. Steering Wheel
- 3. Seat
- 4. Searchlight
- 5. Megaphone
- 6. Left and Right Mirrors
- 7. Front Wheels (2)
- 8. Rear Wheels (2)
- 9. Rims (4)
- 10. Front Bumper
- 11. Car Body

- 12. Battery
- 13. Battery Charger
- 14. Blister Pack
- 14.1. Steering Wheel Screw (1)
- 14.2. Steering Wheel Nut (1)
- 14.3. Snap pin (4)
- 14.4. $\Phi 10$ Small Washer (4)
- 14.5. $\Phi 12$ Large Washer (3)
- 14.6. Inner Wheel Spacer
- 14.7. MP3 Cable



Helpful Tip:

- 1. Parts 14.1-14.7 are located in the blister pack
- 2. Spare parts:
 Small washer 1
 Large washer 1
 Snap pin 2

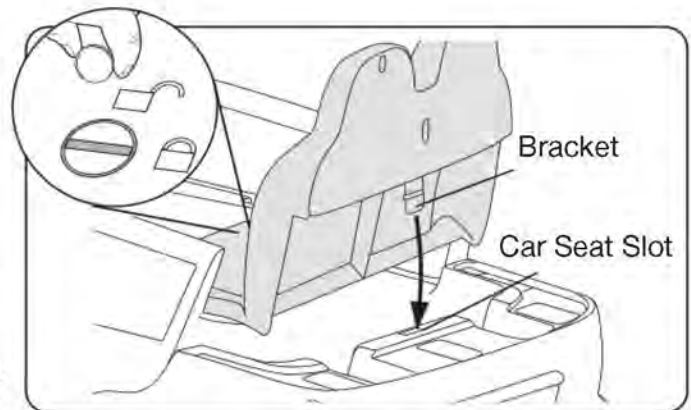
11 Charging Instructions

YOU MUST CHARGE THE BATTERY FOR 24 HOURS BEFORE THE FIRST USE!

ONLY AN ADULT SHOULD HANDLE THE BATTERY AND CHARGER.

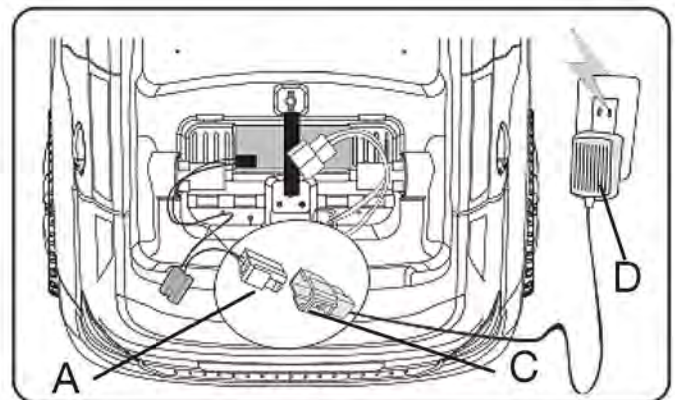
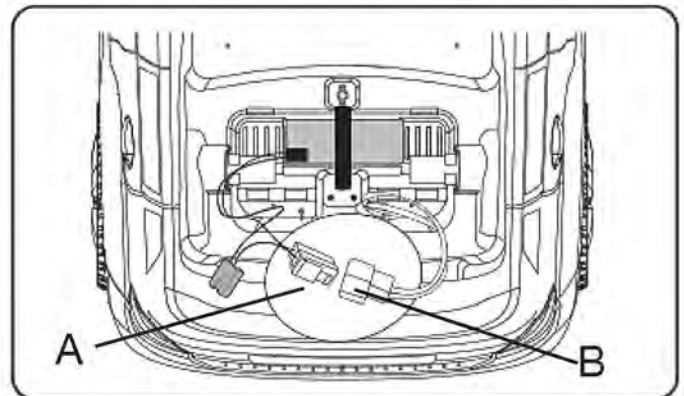
To Charge the Battery:

1. Ensure the car is stopped and turned off.
2. Unlock and remove the seat.
3. Unplug the red battery connector (A) from the red engine connector (B).
4. Connect the red battery connector (A) to the red battery charger connector (C) and plug (D) into a 240 V outlet.



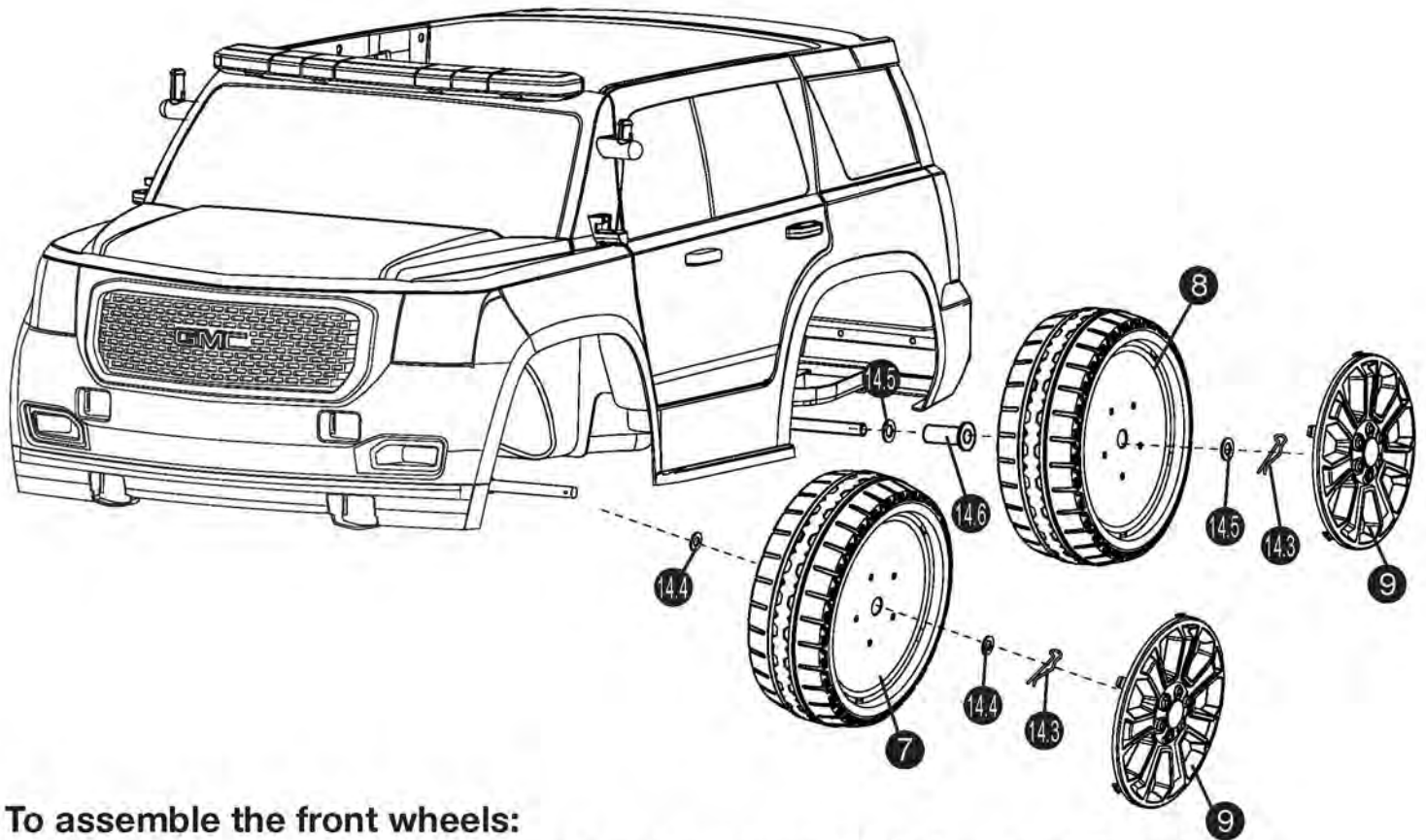
To Unplug the Battery:

1. Unplug the battery charger (D) from the outlet.
2. Unplug the red battery connector (A) from the red battery charger connector (C).
3. Reconnect the red battery connector (A) to the red engine connector (B).
4. Replace the seat and tighten lock.



Note: It is not necessary to remove the battery for charging. However, if the battery does not reach the outlet, it can be removed for charging. For Battery Removal instructions, see Page 20.

12 Assemble the Wheels



To assemble the front wheels:

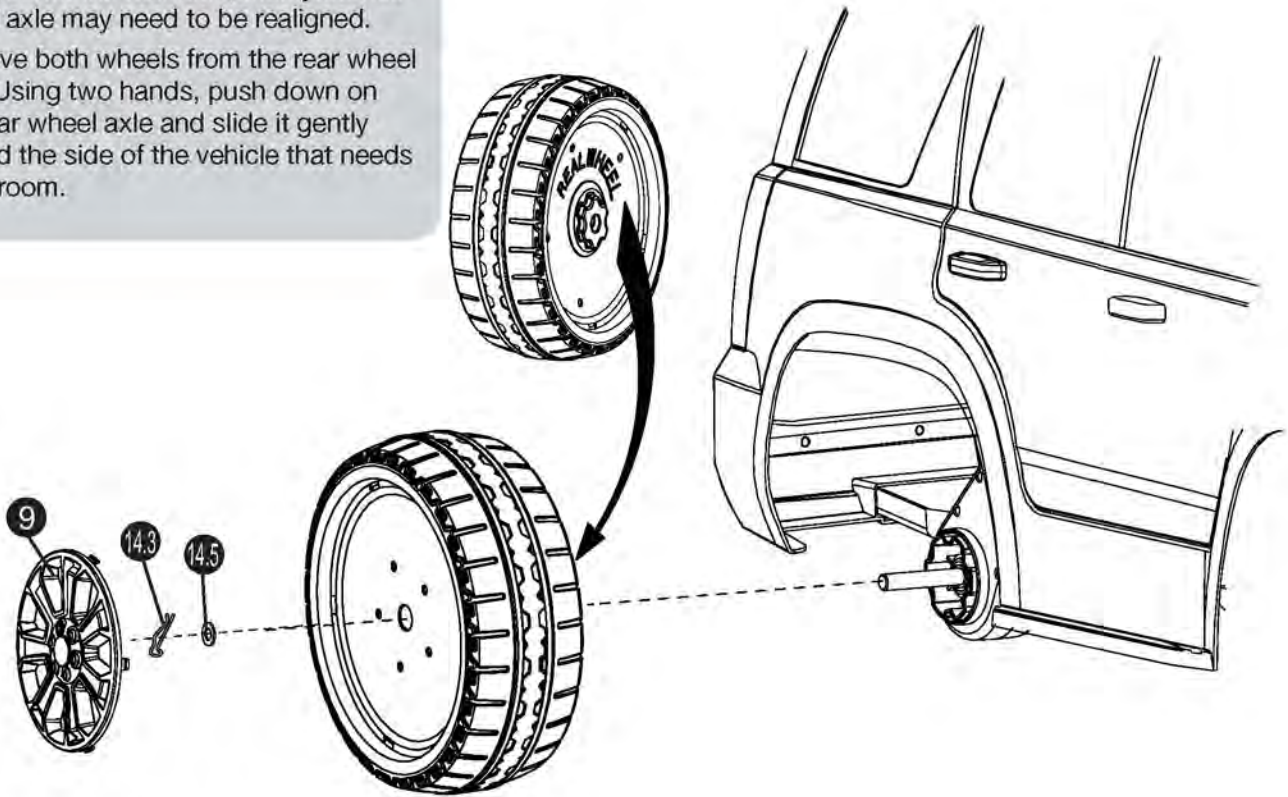
1. Locate the snap pins (14.3) and small washers (14.4) from the blister box.
2. Slide the front small washer (14.4) onto the axle.
3. Slide the front wheel (7) onto the axle.
4. Slide the front small washer (14.4) onto the axle, and then insert the straight end of the snap pin through the hole on the front axle.
5. Snap the wheel rim (9) onto the front wheel.
6. Repeat steps 1-5 for the other front wheel.

To assemble the left rear wheel:

1. Locate the snap pins (14.3), inner wheel spacer (14.6) and large washers (14.5) from the blister box.
2. Slide the rear large washer (14.5) onto the axle.
3. Slide the inner wheel spacer (14.6) onto the axle.
4. Slide the rear wheel (8) onto the axle with the gear teeth facing inward.
5. Slide the rear large washer (14.5) onto the axle, and then insert the straight end of the snap pin through the hole on the rear axle.
6. Snap the wheel rim (9) onto the rear wheel.

Helpful Tip:

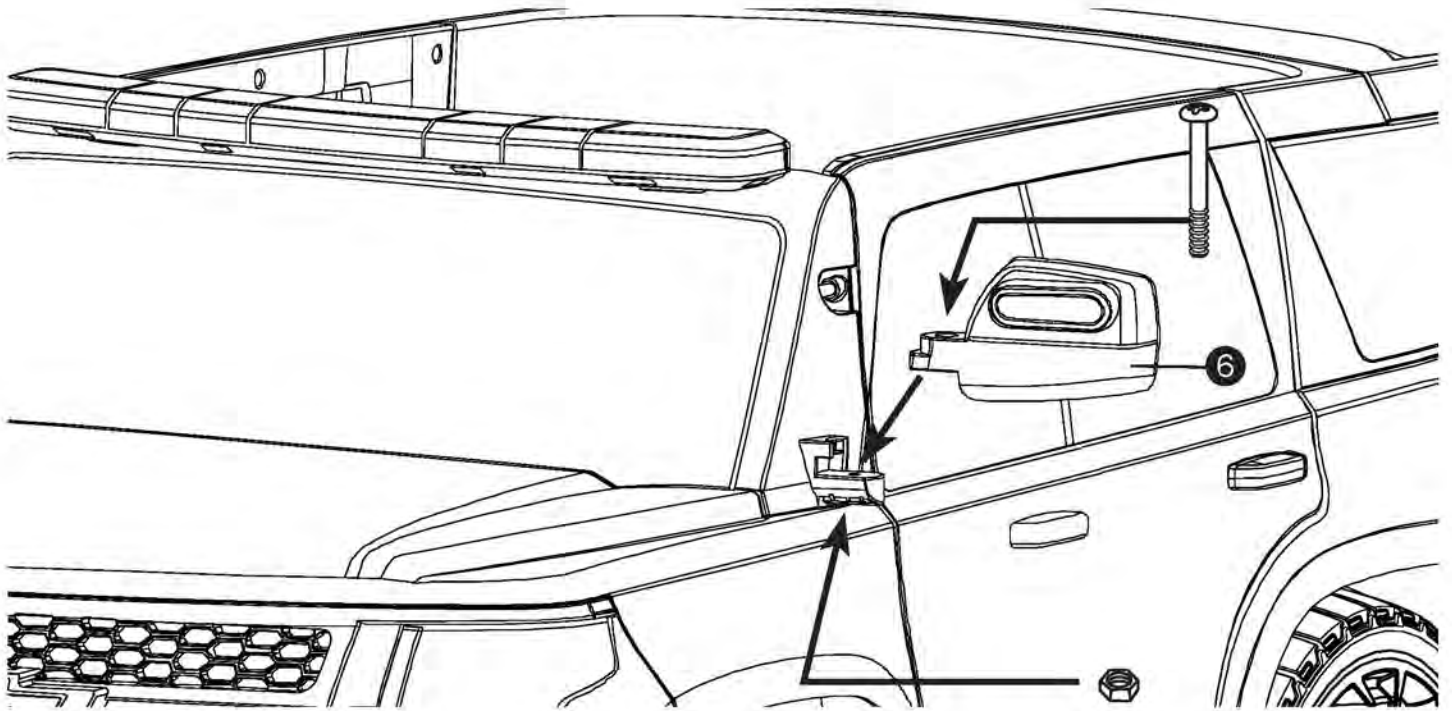
1. If you encounter trouble fitting both wheels onto the rear axle, then your rear wheel axle may need to be realigned.
2. Remove both wheels from the rear wheel axle. Using two hands, push down on the rear wheel axle and slide it gently toward the side of the vehicle that needs more room.



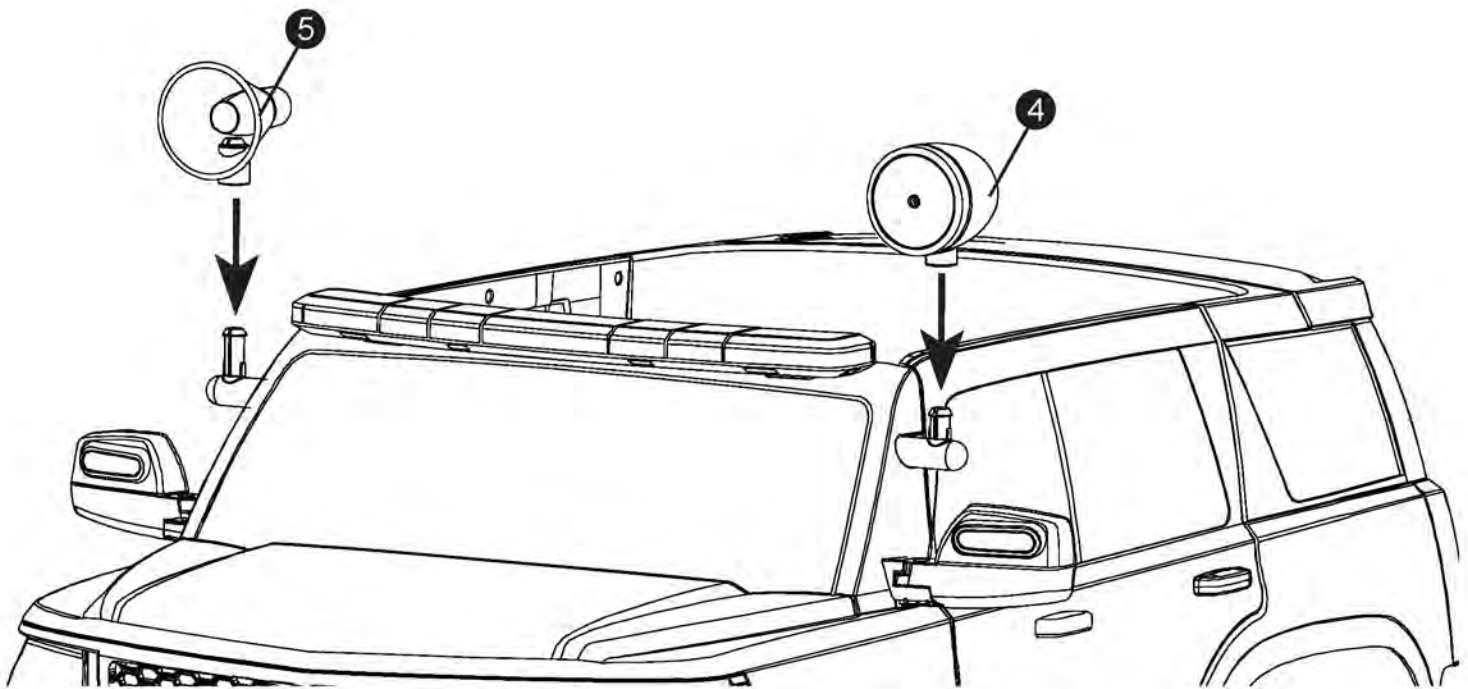
To assemble the right rear wheel:

1. Locate the snap pins (14.3) and large washers (14.5) from the blister box.
2. Slide the rear wheel onto the axle with the gear teeth facing in. Ensure the gear teeth fully engage with the pre-installed gearbox.
3. Slide the rear large washer (14.5) onto the axle, and then insert the straight end of the snap pin through the hole on the rear axle.
4. Snap the wheel rim (9) onto the rear wheel.

14 Assemble the Mirrors

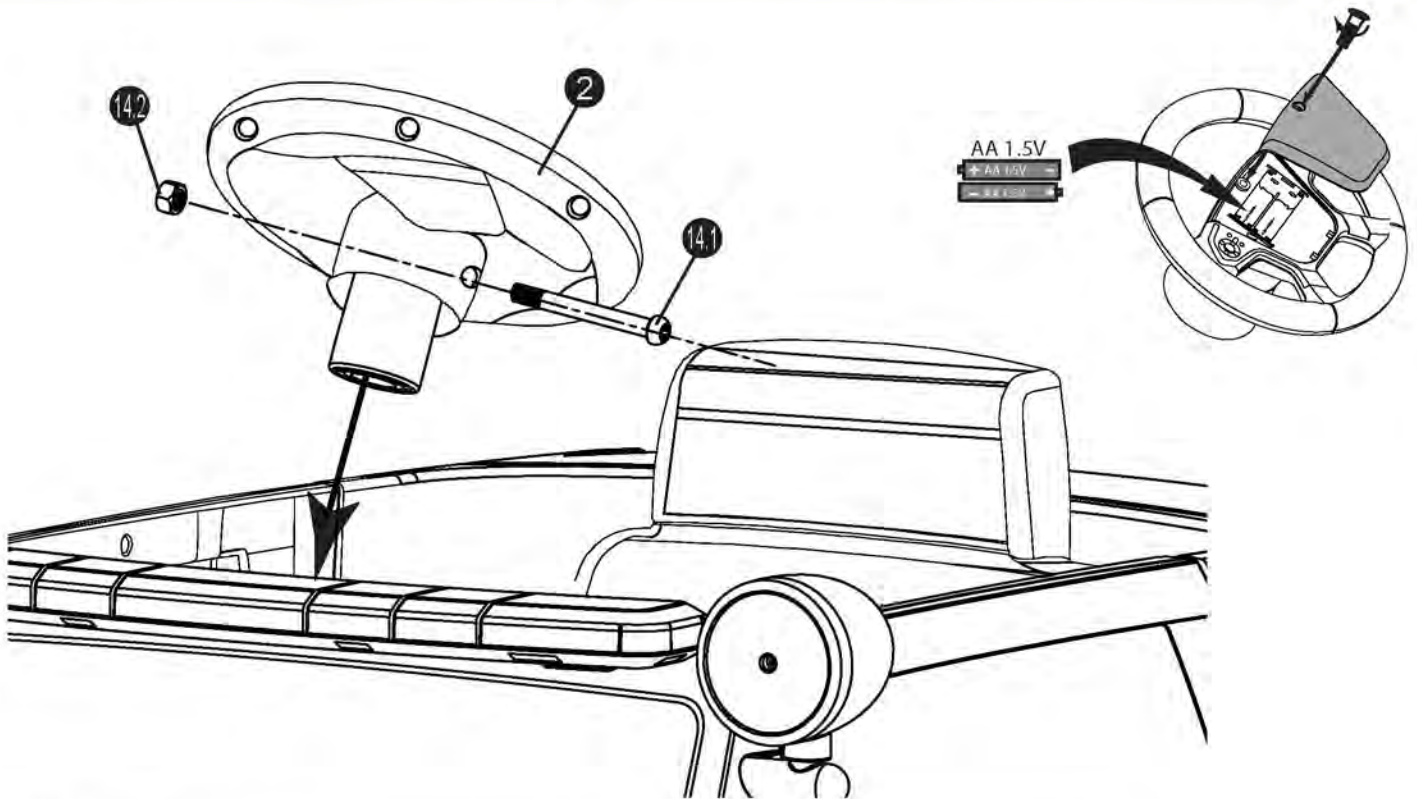


1. Remove the screw and nut from the mirror (6).
2. Align the hole on the mirror with the hole on the car.
3. Insert the screw into the hole, and insert the nut underneath the mirror slot.
4. Fasten the screw with a screwdriver to secure.
5. Repeat steps 1-4 for the other mirror.



1. Locate the searchlight (4) in the packaging.
2. Insert the searchlight into the slot near the left door.
3. Gently push until it clicks into place.
4. Repeat steps 1-3 for the megaphone (5).

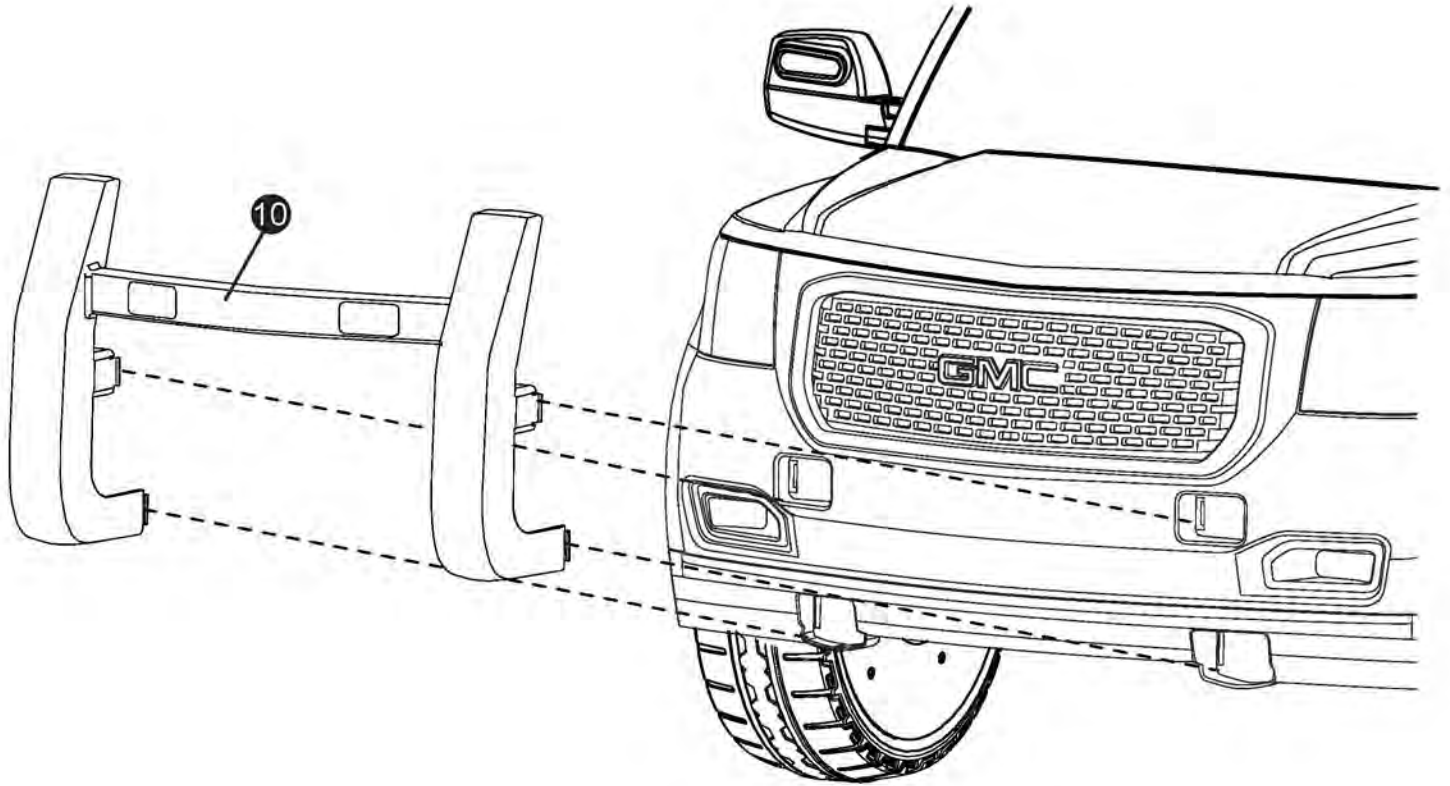
16 Assemble the Steering Wheel



WARNING

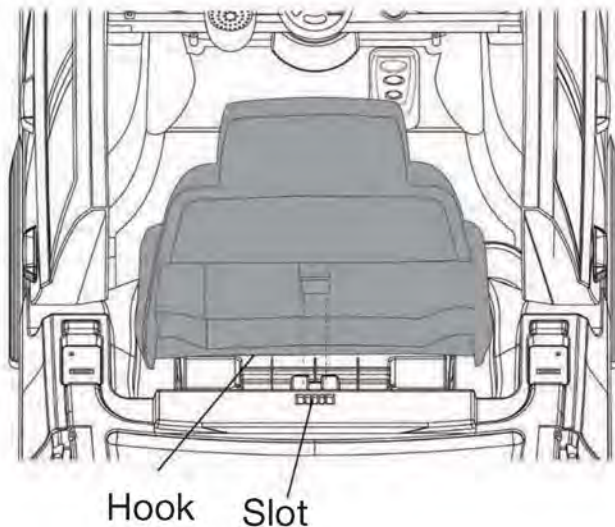
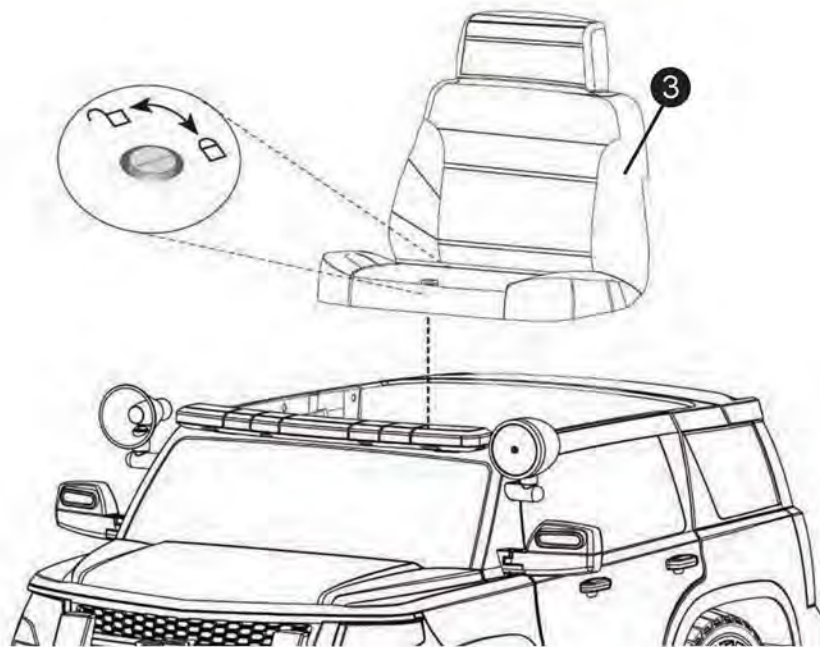
- Do not mix old batteries with new batteries or batteries of different types.
- Do not mix alkaline, standard (carbon-zinc), or rechargeable (nickel-cadmium) batteries.

1. Use a Phillips head screwdriver to remove the screw on the battery compartment of the steering wheel (2).
2. Insert two AA batteries into the battery compartment (batteries not included).
3. Replace cover and use the screwdriver to fasten.
4. Locate the steering wheel screw (14.1) and steering wheel nut (14.2) from the blister box.
5. Slide the steering wheel onto the steering rod. (Note: ensure that the steering rod is pulled up through the dashboard all the way).
6. Align the holes on the steering wheel with the holes on the steering rod.
7. Slide the steering wheel screw through the left side of the steering wheel and steering rod.
8. Fasten the nut to the end of the screw and tighten the screw with a screwdriver.

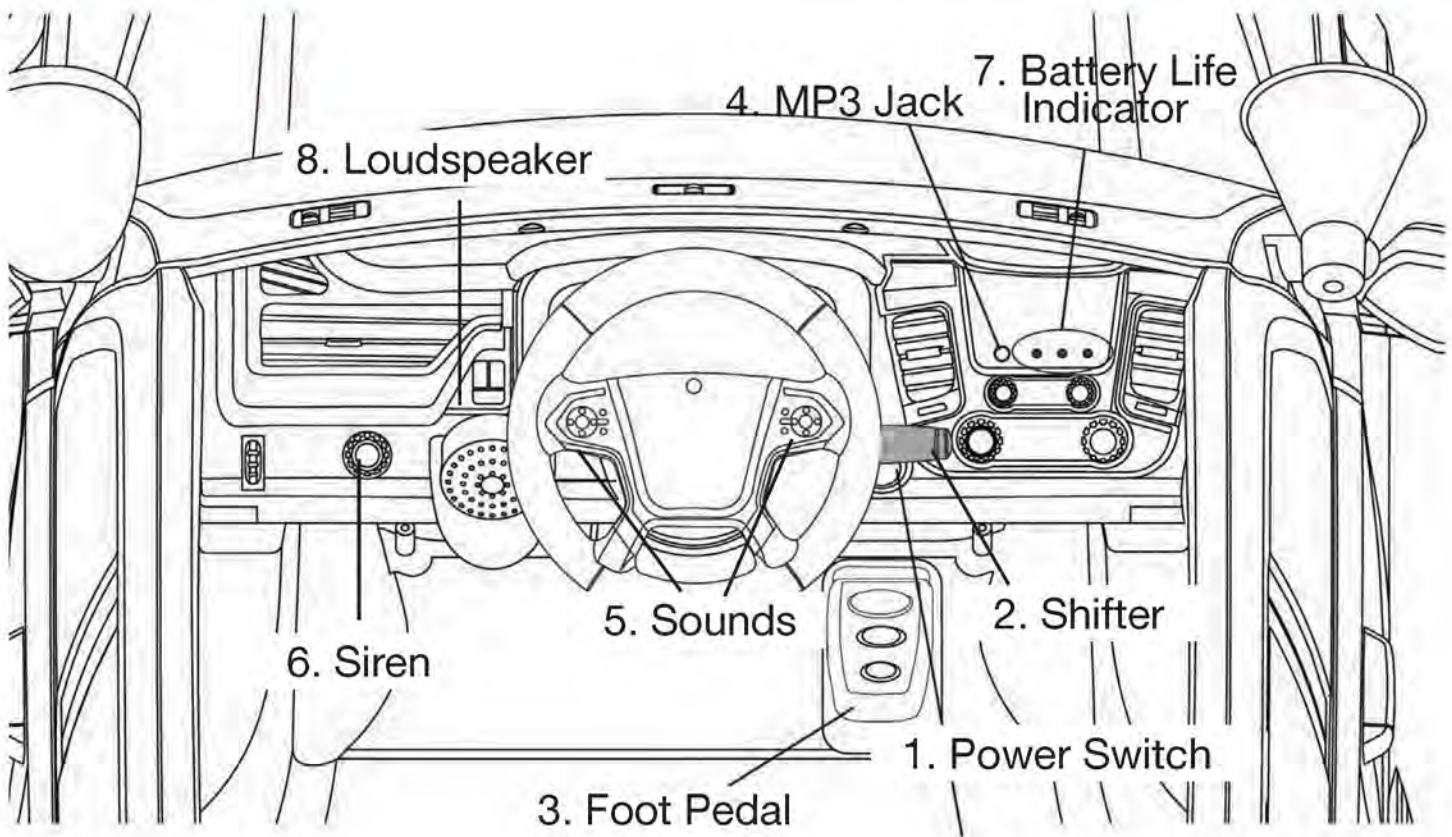


1. Locate the front bumper (10) in the packaging.
2. Align the top and bottom slots on the bumper with the four holes on the car body.
3. Slide the bumper into the holes until it snaps into place.

18 Assemble the Seat

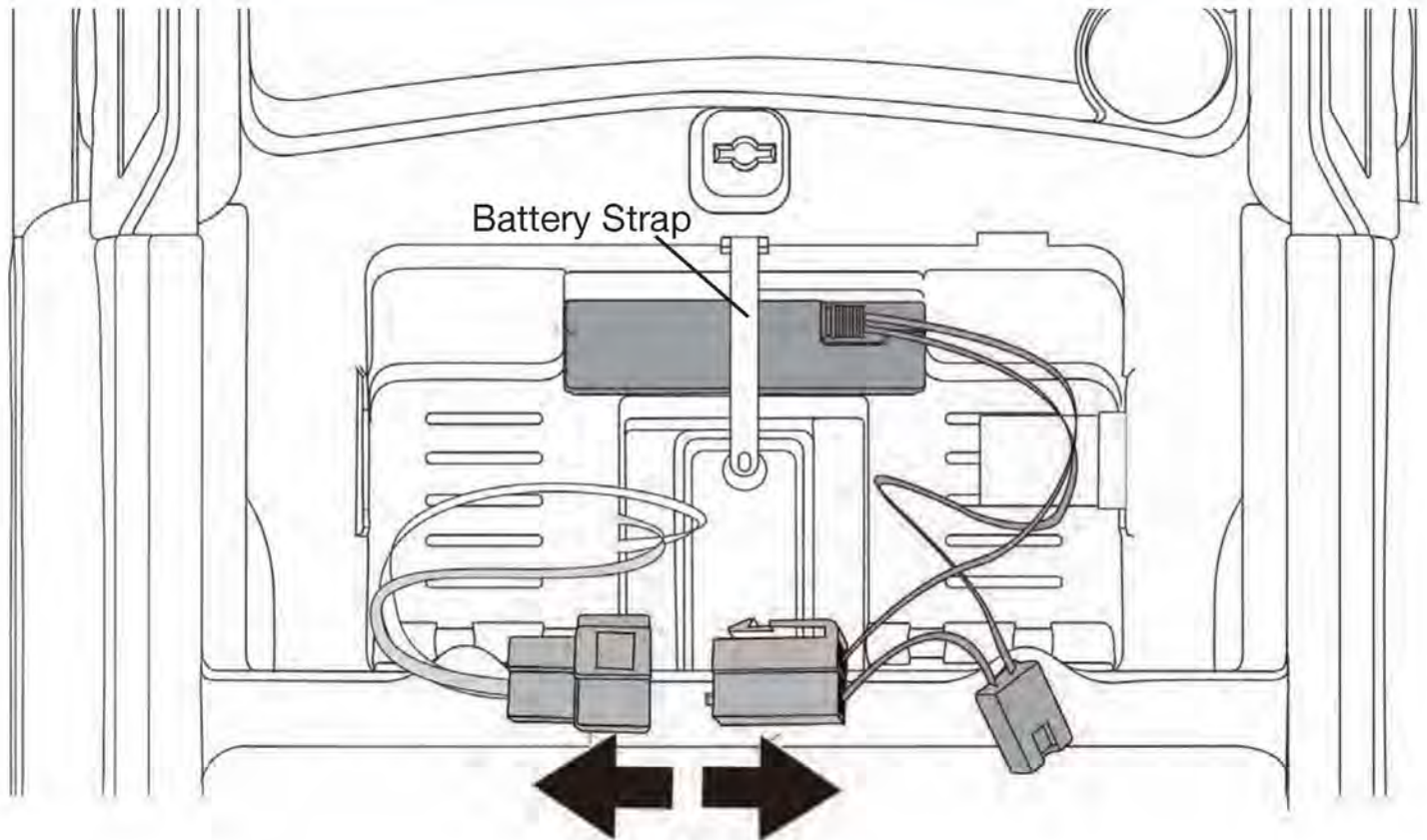


1. Ensure the lock on the car seat (3) is in the unlock position.
2. Align the hook on the back of the car seat (3) with the holes on the back of the battery compartment.
3. Insert the hook into the holes and rotate the seat down into place.
4. Use a flat head screwdriver or a coin to turn the seat to the locked position.



1. Power: Push the red power button to turn on the car. The power light will turn on when the car is on. Press the power switch again to turn off the car.
2. Forward/Reverse: Push the shifter up to move forward. Pull the shifter down to go in reverse.
3. Foot Pedal: Press the foot pedal down to go. Release the foot pedal to stop. The headlights will turn on when the foot pedal is pressed.
4. MP3: Insert the MP3 cable (5) into the MP3 jack and connect to your device. The car must be turned on to use.
5. Sounds: Press the left and right steering wheel buttons for horn and engine sounds.
6. Siren and Emergency Lights: Press the siren button for siren sounds and emergency lights. Press the button to turn off the sounds and lights.
7. **Battery Life Indicator:** Green, Yellow, & Red Lights: Battery is fully charged. Yellow & Red Lights: Battery level is low. Red Light: Battery power is lower than 5.5V, and the battery must be recharged
8. Loudspeaker: Slide the microphone out of the holster. Press the yellow button on the left side and speak into the microphone.

Battery Removal



1. Unlock and remove the seat
2. Disconnect the red battery connector from the red engine connector
3. Loosen and remove the screw from the battery strap using a Phillips screwdriver
4. Slide the battery strap out from the battery strap slot
5. Remove the battery

Note: It is not necessary to remove the battery for charging. However, if the battery does not reach the outlet, then it can be removed for charging.



To properly fasten the seatbelt, fold side B over the child's lap. Then fold side A over side B, and fasten the seat belt with the Velcro. Ensure the seat belt is at a suitable length for comfort and safety.

The seat belt is only intended to keep child seated. Fasten securely across waist.

Important Battery and Charger Information

- Only an adult who has read and understands the safety warnings may handle and operate the battery and battery charger. Keep away from children.
- Charge the battery for 24 hours before using the vehicle for the first time.
- Charge the battery immediately after each use. Charge for at least 8-12 hours, but no more than 20 hours.
- Charge the battery at least once a month, even if the vehicle is not used or stored.
- Never leave the battery in a discharged condition.
- Connect the terminal of the battery and charger, then plug the charger into a 240V AC outlet.
- It is normal for the charger to heat slightly. If the charger rises above 71°C / 160°F, disconnect the charger and call Customer Service for assistance.
- Keep the charger away from water or excessive moisture to prevent short-circuiting.
- Only use the charger specified with the original item. **Do not charge the battery with any other charger.**
- Do not attempt to recharge non-rechargeable batteries with the original charger.
- **Do not replace the battery with any other battery, or the warranty will be voided.** If you need a replacement battery, see Page 25 for replacement information.
- Remove damaged batteries from the car immediately. Recycle or dispose of the used batteries responsibly.
- Do not short circuit the supply terminals.
- Do not leave the battery connected in the vehicle for extended periods of time when the vehicle is not being used. Disconnect the battery connector from the engine connector before storing.
- The vehicle is equipped with a thermal fuse to protect the electric circuit. If the vehicle cuts out, turn the vehicle off and on to reset.

- Regularly inspect all vehicle parts to ensure they are in good working condition.
- Regularly inspect the charger, cord, plug, and other related parts for damage.
- Remove any damaged parts and immediately contact Customer Service for replacement parts. See Service and Repairs on Page 24 for more information.
- DO NOT operate the vehicle if there are any damaged parts.
- Carefully clean the vehicle with a damp cloth and mild soap. Do not get water in or near any electrical parts. Do not wash the vehicle with a hose.
- Store the vehicle indoors or use a tarp to cover it. Keep away from stoves, heaters, or other sources of heat.

Completely read through the manual and troubleshooting guide before contacting Customer Service.

Problem	Potential Cause	Solution
Vehicle does not run	Battery is low	Recharge the battery
	Thermal fuse tripped	Reset fuse
	Snap pins are loose	Tighten snap pins
	Loose wires or loose connectors	Ensure the battery connectors are securely attached. If wires are loose, contact Consumer Service for repairs
	Battery is dead	Call Customer Service for replacement battery
	Electrical system is damaged	Call Customer Service for repairs
	Motor is damaged	Call Customer Service for repairs
Vehicle only runs for a short time	Undercharged battery	Ensure a secure connection when the battery is recharging. Recharge for at least 8-12 hours
	Overcharged battery	Never charge the battery for more than 24 hours
	Battery is old	Replace battery
Vehicle runs slowly	Battery is not fully charged	Ensure a secure connection when the battery is recharging
	Battery is old	Call Customer Service to order replacement battery
	Too much weight on vehicle	Reduce weight on vehicle (35 KG max)
	Harsh conditions	Operate the vehicle on level ground and safe surfaces

Problem	Potential Cause	Solution
Vehicle needs a push to start	Loose wires or loose connectors	Ensure the battery connectors are securely attached. If wires are loose, contact Consumer Service for repairs
	“Dead spot” on motor	A “dead spot” means electricity is not being delivered to the terminal. Contact Consumer Service for repairs
Difficulty shifting	Attempting to shift while vehicle is moving	Stop the vehicle before shifting
Motor or gear box making grinding noises	Motor or gear damage	Contact Consumer Service for repairs
Battery will not recharge	Charger is not plugged in	Plug in the charger to a functional wall outlet
	Charger is not working	Call Consumer Service for a replacement
	Loose connector or loose adapter	Check that the connectors are securely plugged in to each other
Battery makes bubbling noise while recharging	This is normal	No action required
Charger is warm	This is normal	No action required

One-Year Limited Warranty

Hunter Products warrants that your **GMC 6v** will be free from defects in materials and workmanship for the vehicle (except for the 6-volt battery) for a period of 12 months, from the date of purchase. This warranty only applies where the product is completely and correctly assembled and used in accordance with all accompanying recommendations and users instructions. This warranty is in addition to your rights under the Australia Consumer Law.

Hunter Products, at its option will provide you with a refund or replacement parts for this product if the **GMC 6v** becomes defective within the warranty period.

Hunter Products will bear the reasonable expense of claiming the warranty. This warranty will no longer apply where the defect is a result of an accident, misuse, abuse, neglect or other causes not arising out of defects in materials or workmanship, nor does it cover damages arising out of damages arising out of service by other than an authorised service person.

Our goods come with guarantees that cannot be excluded under the Australian Consumer Law. You are entitled to a replacement or refund for a major failure and compensation for any other reasonably foreseeable loss or damage. You are also entitled to have the goods repaired or replaced if the goods fail to be of acceptable quality and the failure does not amount to a major failure.

Please retain your receipt as proof of purchase and contact Hunter Products for further assistance on how to process any warranty claims.

Business name:	Hunter Products Pty Ltd
Business address:	Level 2, 424 Warrigal Road, Moorabbin VIC 3189,
Toll Free Phone:	1800 224 094 (Monday to Friday 9.00 to 5.00pm AEST)
Email address:	enquiries@hunterproducts.com.au

